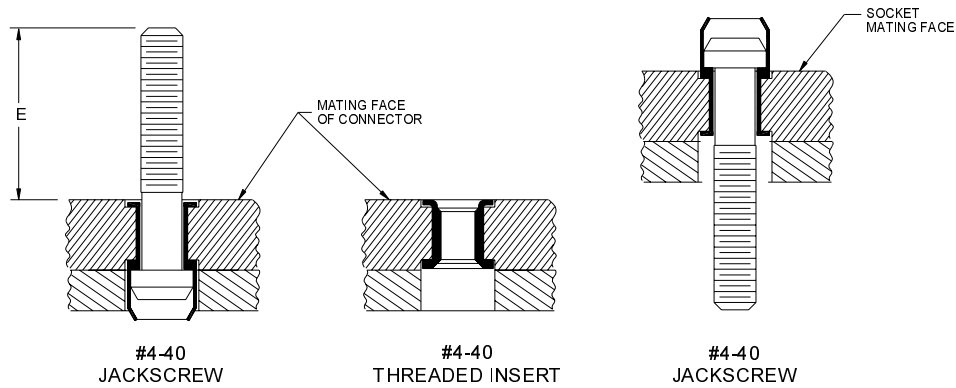
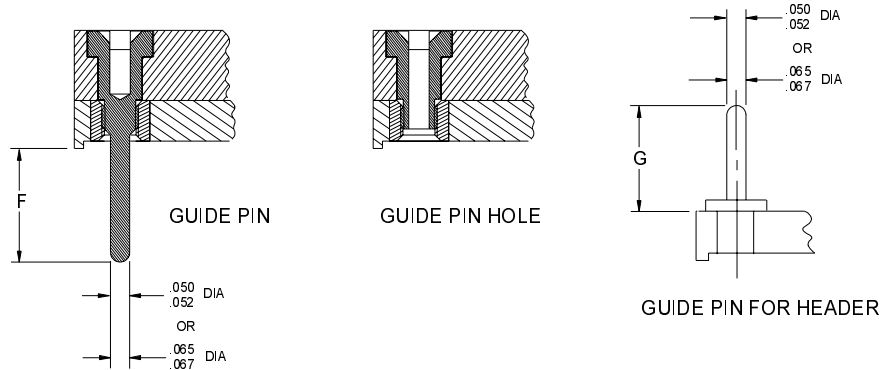


CRISTEK INTERCONNECTS, INC. www.cristek.com 1301 S. Lewis St. Anaheim, CA 92805 Phone: (714) 618-2000 FAX: (714) 535-4897	TITLE	DWG. NO. <b>501</b>		
	FILENAME <b>ADS-501-1</b>	CODE IDENT NO. <b>67720</b>		REV <b>B</b>
		SHT <b>1</b> OF <b>2</b>	TOLERANCE: .XXX ±.005 .XX ±.01 ANGLE ±1°	

### MATING HARDWARE / CENTER OF CONNECTOR



### MATING HARDWARE / ENDS OF CONNECTOR



NO. OF CONTACTS	A MAX
46	1.827
52	1.977

PIN LENGTHS NOW IN USE

B	C	D
.160	.228	.160
.175	.250	.460
.272		
.379		
.460		

LENGTHS NOW IN USE

E	F	G
.248	.310	.250
.427	.427	.278

THIS PRODUCT CAN BE SUPPLIED WITH NUMEROUS CONFIGURATIONS AND OPTIONS. TO ORDER THE STACKING CONNECTOR IN ANY CONFIGURATION, PLEASE CONTACT CRISTEK DETAILS AND PART NUMBERS.

TO INCORPORATE AN EXISTING PIN LENGTH WOULD SAVE A TOOLING CHARGE. CONTACT FACTORY FOR LATEST ADDITIONS.

TO INCORPORATE AN EXISTING LENGTH WOULD SAVE A TOOLING CHARGE CONTACT FACTORY FOR LATEST ADDITIONS.

1. MATERIALS:  
INSULATOR - DIALLYL PHTHALATE PER MIL-M-14, TYPE SDG-F  
OR POLYPHENYLENE SULFIDE PER MIL-M-24519 TYPE GST-40F  
SOCKET CONTACT - COPPER ALLOY  
HEADER PIN - BRASS
2. FINISH:  
HARDWARE - HEAT TREAT AND PASSIVATE PER QQ-P-35  
CONTACT - GOLD PER MIL-G-45204, TYPE II, GRADE C, CLASS I  
OVER NICKEL PER QQ-M-29

3. SPECIFICATIONS:
- CURRENT RATING ..... 3 AMPS MAX  
TEMPERATURE RATING ..... -55° C TO +125° C  
INSULATION RESISTANCE ..... 5000 MEGOHMS MIN AT 500 VDC  
DWV AT SEA LEVEL ..... 750 VAC  
CONTACT RESISTANCE ..... 12 MILLIOHMS MAX AT 3 AMPS  
INSERTION FORCE ..... 6 oz MAX  
WITHDRAWAL FORCE ..... 0.5 oz MIN

CRISTEK INTERCONNECTS, INC. www.cristek.com 1301 S. Lewis St. Anaheim, CA 92805 Phone: (714) 618-2000 FAX: (714) 535-4897	TITLE	DWG. NO.		
	STACK-IT	501		
	FILENAME	CODE IDENT NO.	SHT	REV
ADS-501-2	67720	2 OF 2	B	
		TOLERANCE: .XXX ±.005 .XX ±.01 ANGLE ±1°		