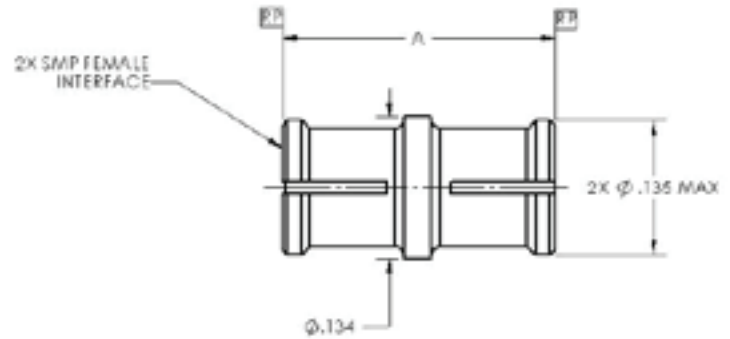


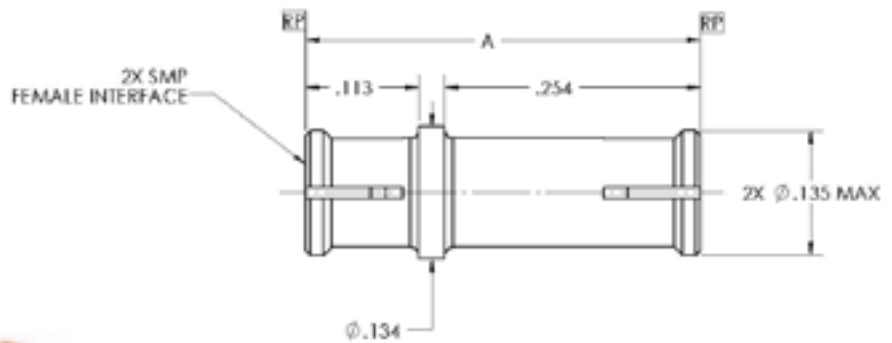
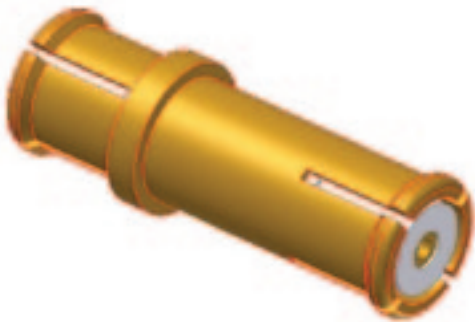
SMP INTERCONNECT (BULLET)

Cristek Part Number	Dim A
MBI-S254-SI	.254



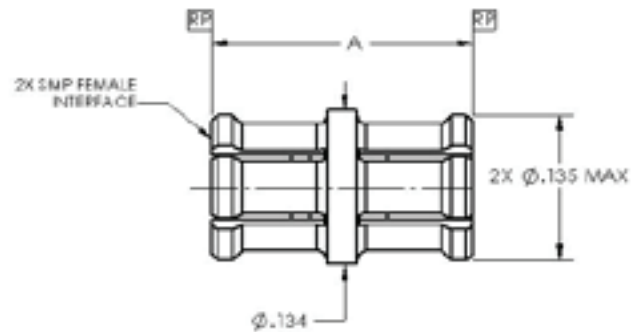
SMP INTERCONNECT (BULLET)

Cristek Part Number	Dim A
MBI-S395-SI	.395



SMP INTERCONNECT (BULLET)

Cristek Part Number	Dim A
MD-SFSF-S-001	.224



SMP INTERCONNECT (SPRING LOADED BULLET)

Cristek Part Number	Dim A OPEN	Dim B CLOSED
MD-SFSF-L-001	.500	.450
MD-SFSF-L-002	.650	.600
MD-SFSF-L-003	.750	.700
MD-SFSF-L-004	1.000	.950
MD-SFSF-L-005	1.250	1.200

