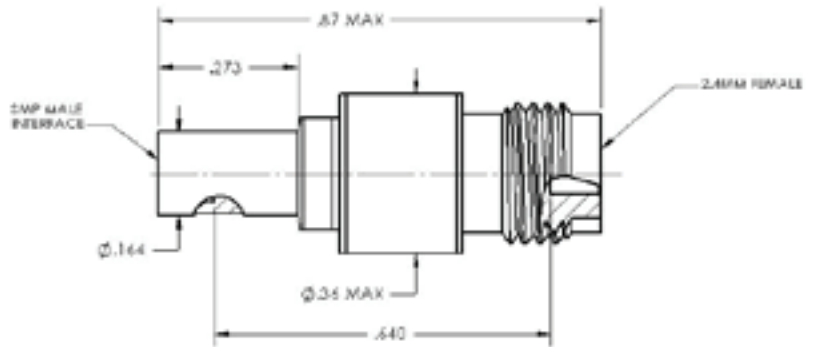


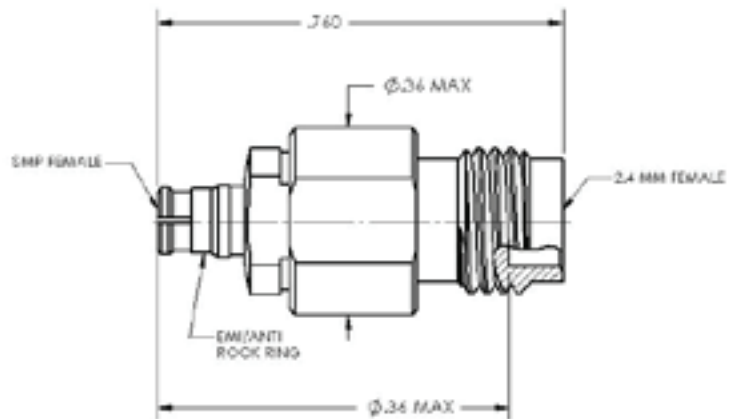
SMP MALE TO 2.4MM JACK ADAPTER

Cristek Part Number	VSWR MAX	FREQUENCY RANGE	DETENT
MD1-FJSD-SS-001	1.2:1	DC TO 40 GHZ	Full
MD1-FJSL-SS-001	1.2:1	DC TO 40 GHZ	Limited
MD1-FJSS-SS-001	1.2:1	DC TO 40 GHZ	Smooth



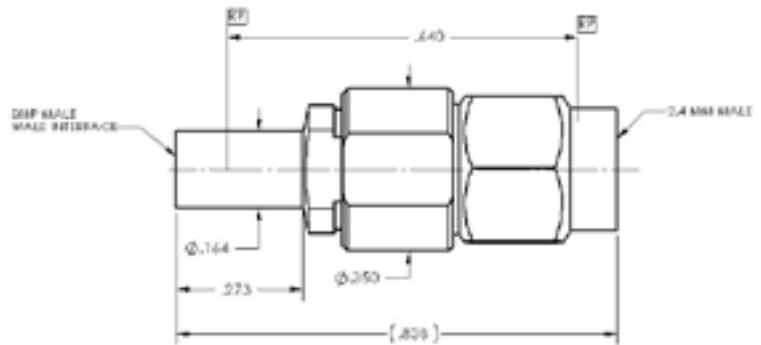
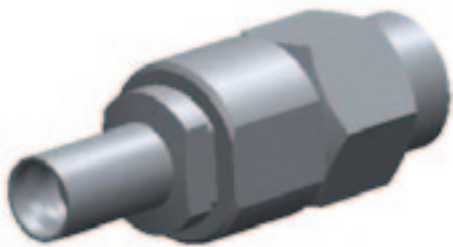
SMP FEMALE TO 2.4MM JACK ADAPTER

Cristek Part Number	VSWR MAX	FREQUENCY RANGE
MD1-FJSF-SS-001	1.2:1	DC TO 40 GHZ



SMP MALE TO 2.4MM PLUG ADAPTER

Cristek Part Number	VSWR MAX	FREQUENCY RANGE	DETENT
MD1-FPSD-SS-001	1.2:1	DC TO 40 GHZ	Full
MD1-FPSL-SS-001	1.2:1	DC TO 40 GHZ	Limited
MD1-FPSS-SS-001	1.2:1	DC TO 40 GHZ	Smooth



SMP FEMALE TO 2.4MM PLUG ADAPTER

Cristek Part Number	VSWR MAX	FREQUENCY RANGE
MD1-FPSF-SS-001	1.2:1	DC TO 40 GHZ

