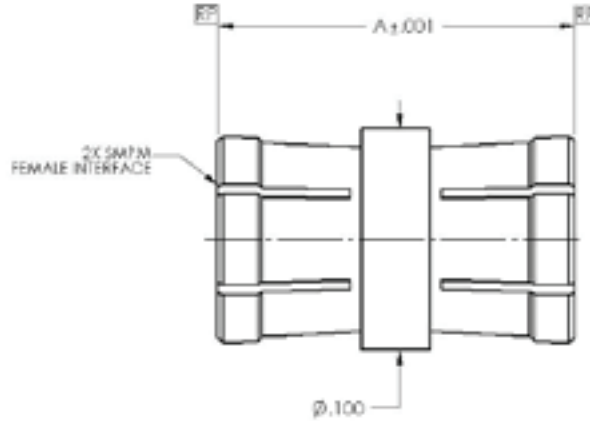


**SMPM INTERCONNECT (BULLET)**

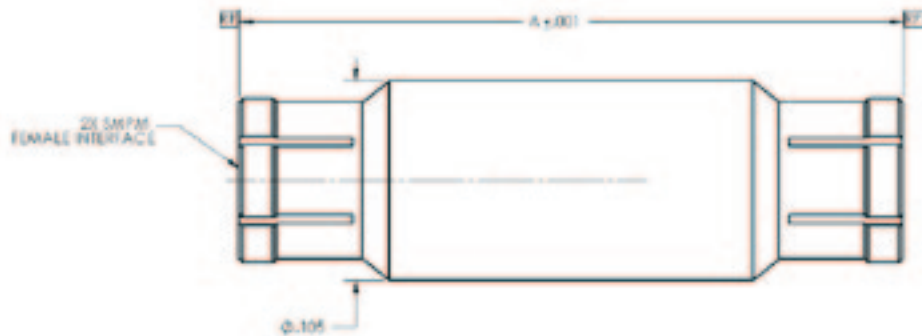
Cristek Part Number	DIM A
MBI-MI61-SI	.161
MBI-MI66-SI	.166



SMPM

**SMPM INTERCONNECT (BULLET)**

Cristek Part Number	DIM A
MBI-M210-SI	.210
MBI-M349-SI	.349
MBI-M500-SI	.500



**SMPM INTERCONNECT (BULLET)**

Cristek Part Number	Dim A OPEN	Dim B CLOSED
MD-MFMF-L-001	.530	.480
MD-MFMF-L-002	.650	.600

SMPM

