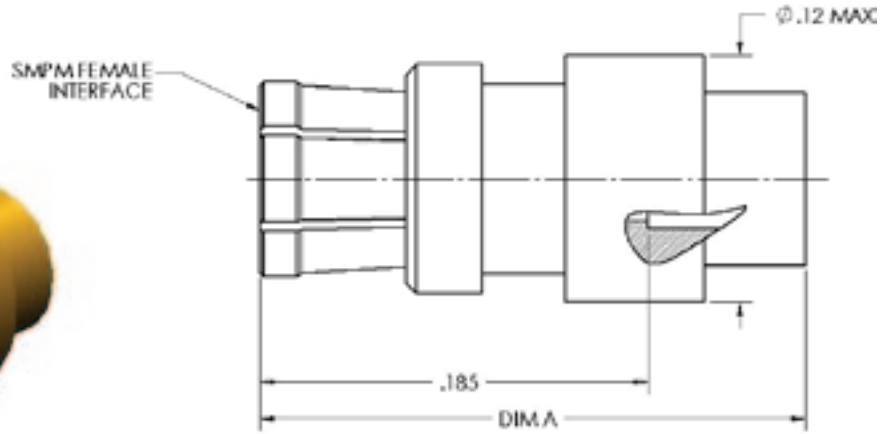


**SMPM FEMALE, STRAIGHT, SEMI-RIGID CABLE**

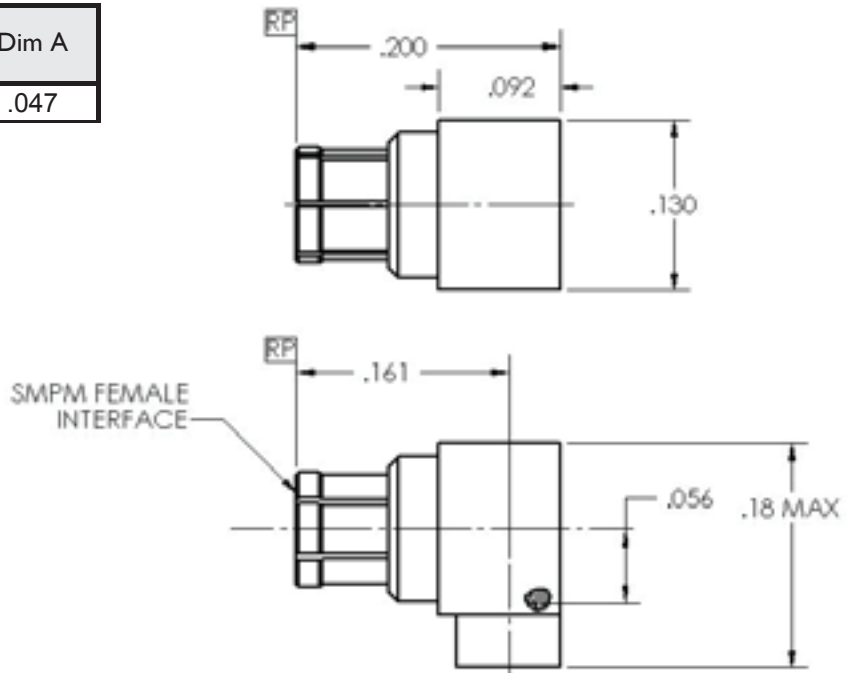
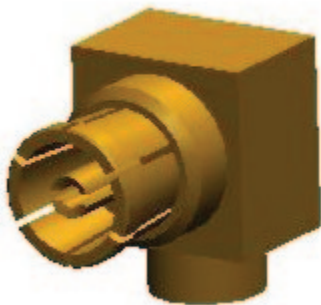
Cable Type	Cristek Part Number	Dim A
SR .047	MA-MFCS-02-001	.260



SMPM

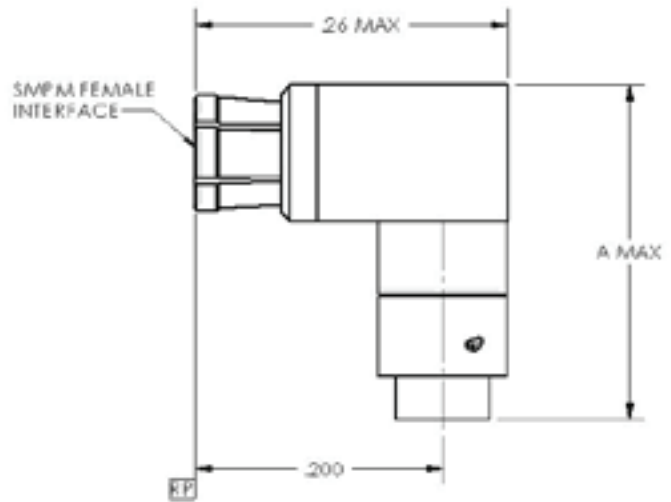
**SMPM FEMALE, RIGHT ANGLE, SEMI-RIGID CABLE**

Cable Type	Cristek Part Number	Dim A
SR .047	MA-MFCR-02-001	.047



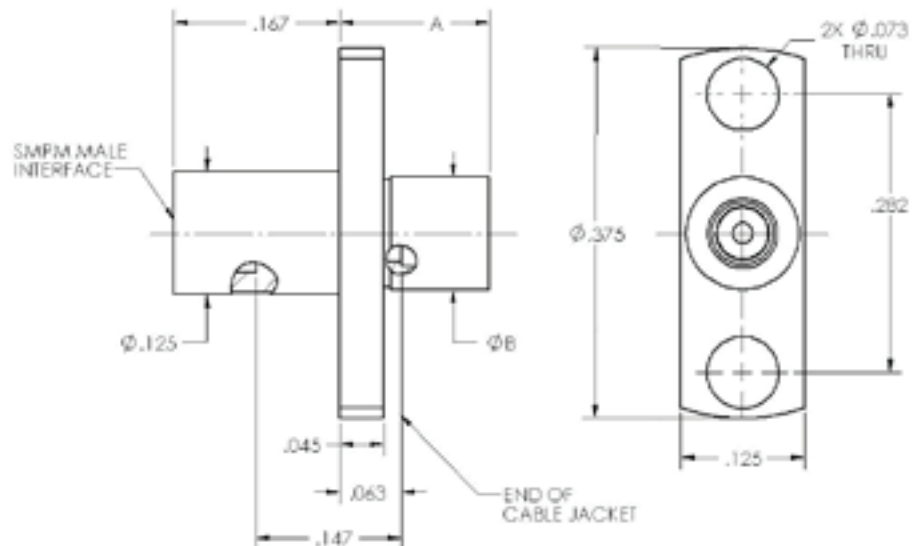
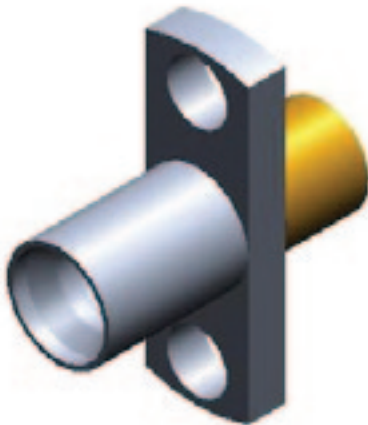
**SMMPM FEMALE, RIGHT ANGLE, HIGH FREQUENCY, SEMI-RIGID CABLE**

Cable Type	Cristek Part Number	Dim A
SR .047	MA-MFN-02-001	.270



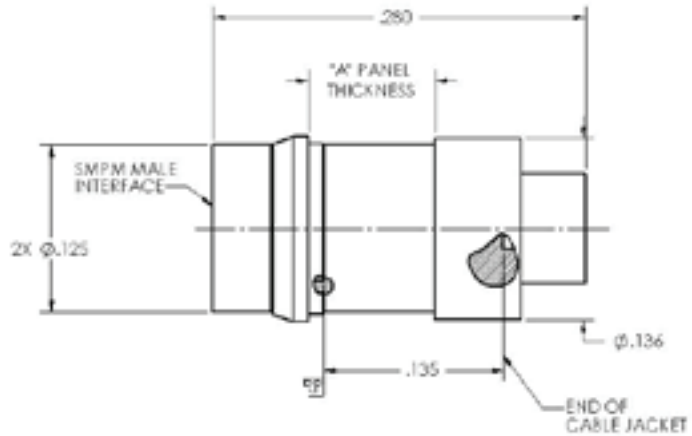
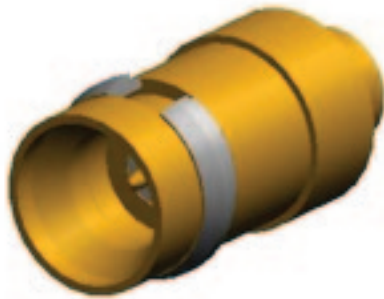
**SMMPM FEED THRU, FLANGE MOUNT, SEMI-RIGID CABLE**

Cable Type	Cristek Part Number	Dim A	Dim B
SR 086	MA-MMCF-01-001	.153	.116
SR 047	MA-MMCF-02-001	.095	.076



**SMPM SNAP IN SHROUD, PANEL MOUNT, SEMI-RIGID CABLE**

CABLE TYPE	Cristek PN	PANEL THICKNESS
SR.047	MA-MMCJ-02-001	.093
SR.047	MA-MMCJ-02-002	.125



SMPM

**SMPM SNAP IN SHROUD, FLOAT MOUNT, SEMI-RIGID CABLE**

Cable Type	Cristek PN	"A" PANEL THICKNESS	Dim B
SR.047	MA-MMCM-02-001	.093	.548
SR.047	MA-MMCM-02-002	.125	.580

