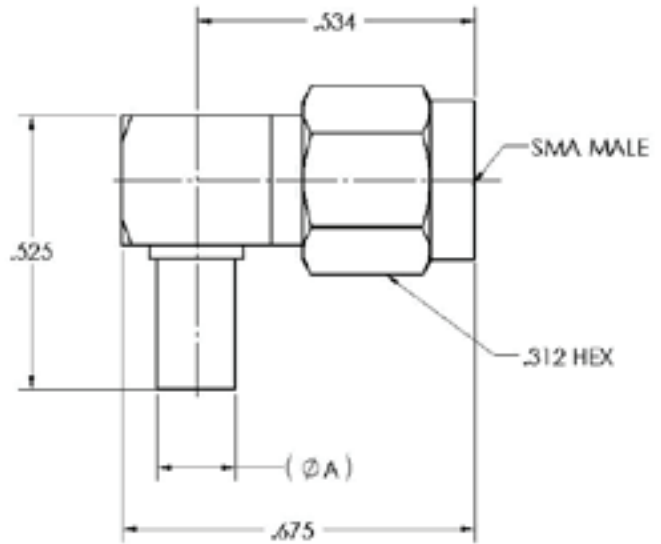
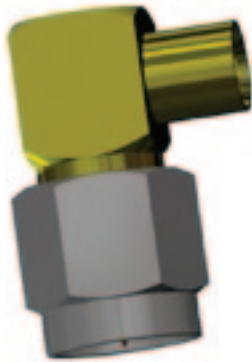


SMA, PLUG, RIGHT ANGLE, SEMI RIGID CABLE

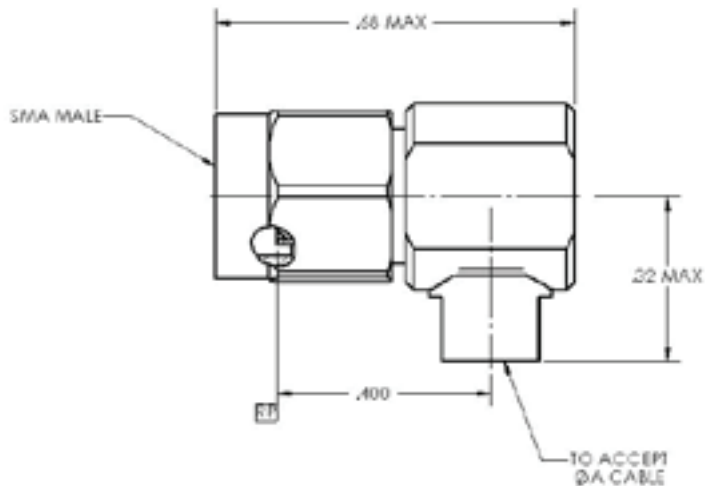
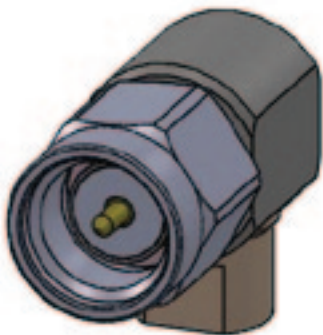
Cable Type	Cristek Part Number	Dim A
SR086	MA-AMCR-01-001	.120
SR141	MA-AMCR-03-001	.180



SMA

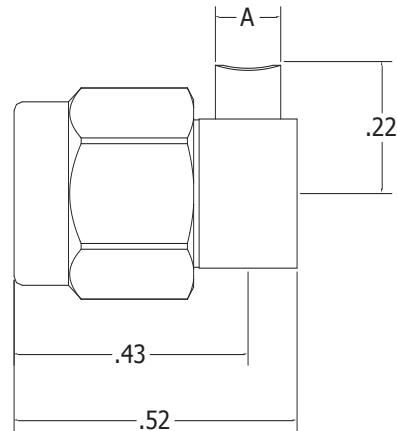
SMA PLUG, RIGHT ANGLE, SWEEP CONTACT

Cable Type	Cristek Part Number	Dim A
SR086	MAI-AMCN-01-001	.086
SR141	MAI-AMCN-03-001	.141



SMA PLUG, RIGHT ANGLE, LOW PROFILE

Cable Type	Cristek Part Number	Dim A
SR086	MAI-AMCR-01-002	.120
SR141	MAI-AMCR-03-002	.180



SMA

SMA PLUG, RIGHT ANGLE, LOW PROFILE, SWEEP CONTACT

Cable Type	Cristek PN	Dim A
SR086	MAI-AMCN-01-002	.120
SR141	MAI-AMCN-03-002	.180

