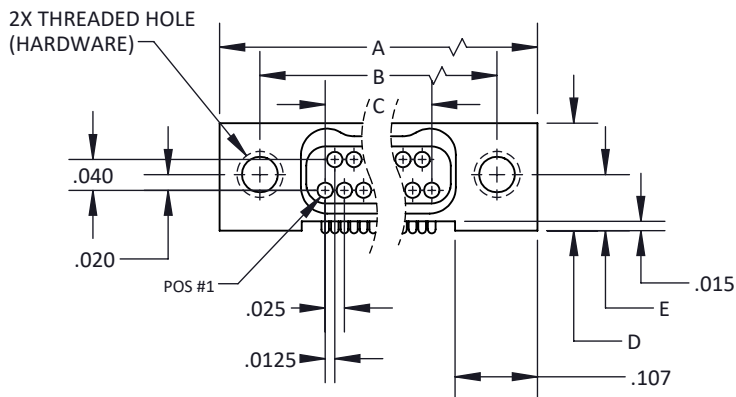
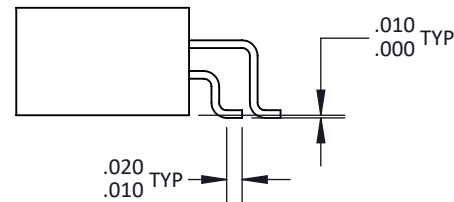
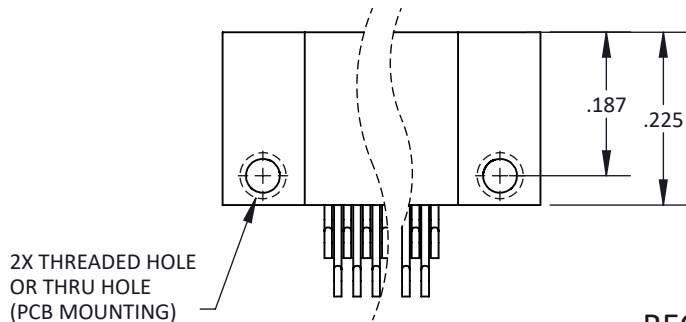


**PLUG**



NO. OF CONTACTS	A	B	C	D	E
9	.375	.270	.100	.140	.0725
15	.450	.345	.175		
21	.525	.420	.250		
25	.575	.470	.300		
31	.650	.545	.375		
37	.725	.620	.450		
51	.900	.795	.625	.165	.085
65	1.075	.970	.800		
69	1.125	1.020	.850		
85	1.377	1.246	1.050		
91	1.452	1.321	1.125		



**RECEPTACLE**

(FOR PLUG AND RECEPTACLE PCB CONTACT FOOTPRINTS, SEE SHEETS 3 AND 4)

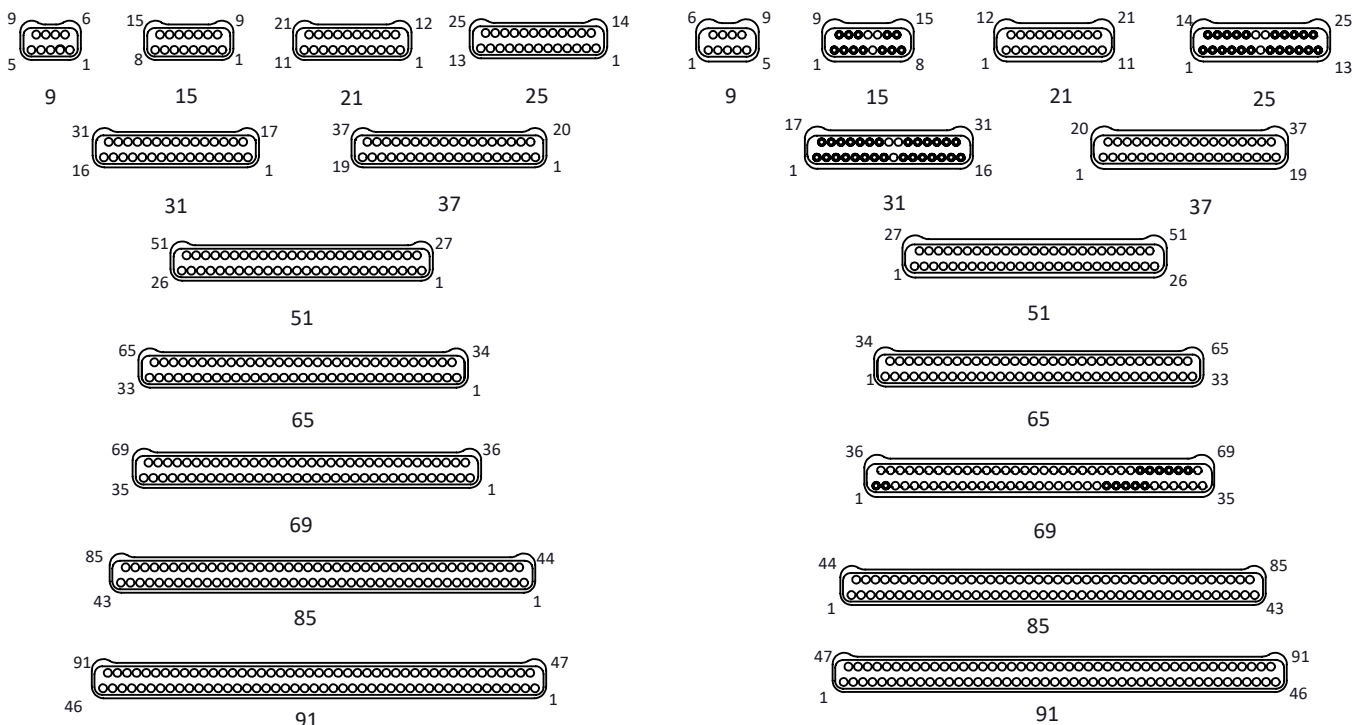
TOLERANCE: .XXX ±.005  
.XX ±.01  
ANGLE ±1°

TITLE  
**NANO METAL SHELL  
DUAL ROW RIGHT ANGLE  
SURFACE MOUNT**

SHT 1 OF 4

DWG. NO.  
**SRN2**

REV  
**J**



PLUG FACE

RECEPTACLE FACE

SRN 2 - XX X - T X - X

NANO METAL SHELL  
RIGHT ANGLE SURFACE MOUNT

BODY STYLE  
2 = DUAL ROW

NUMBER OF CONTACTS  
09 25 51 85  
15 31 65 91  
21 37 69

GENDER  
P = PLUG, PIN CONTACTS  
S = RECEPTACLE, SOCKET CONTACTS

HARDWARE  
T = #0-80 THREADED HOLE  
(#2-56 FOR SIZES 85 & 91)

PCB MOUNTING METHOD  
T = #0-80 THREADED HOLE  
(#2-56 FOR SIZES 85 & 91)  
OMIT FOR  $\varnothing .070 \pm .002$  THRU HOLE  
( $\varnothing .092 \pm .004$  FOR SIZES 85 & 91)

SHELL FINISH  
ALUMINUM  
A = CADMIUM  
B = NICKEL  
C = ZINC-NICKEL  
G = GOLD  
STAINLESS STEEL  
P = PASSIVATE  
TITANIUM  
T = TITANIUM (FINISH N/A)

MATERIALS AND FINISHES ARE IAW MIL-DTL-32139  
FOR DETAILS SEE MIL SPEC OR WWW.CRISTEK.COM

1. MATERIALS:

SHELL - ALUMINUM ALLOY OR STAINLESS STEEL  
OR TITANIUM  
INSULATOR - LIQUID CRYSTAL POLYMER OR  
GLASS FILLED THERMOPLASTIC  
CONTACT - COPPER ALLOY

2. FINISH:

SHELL - ELECTROLESS NICKEL OR CADMIUM OVER  
ELECTROLESS NICKEL OR PASSIVATE OR  
GOLD OR ZINC-NICKEL  
CONTACT - GOLD OVER NICKEL

3. SPECIFICATIONS:

CURRENT RATING ----- 1 AMP MAX  
TEMPERATURE RATING ----- -55° C TO +125° C  
INSULATION RESISTANCE ----- 5000 MEGOHMS  
DWV AT SEA LEVEL ----- 250 VAC  
DWV AT 70,000 FT ALTITUDE --- 100 VAC  
CONTACT RESISTANCE ----- 71 mV DROP MAX @ 1 A  
CONTACT RETENTION ----- 2 LBS AXIAL LOAD  
ENGAGEMENT FORCE ----- 5 oz MAX  
SEPARATION FORCE ----- 0.4 oz MIN

4. ADDITIONAL INFORMATION:

FOR OTHER TERMINATIONS, CONTACT CRISTEK.

5. SIZE 85 & 91 HARDWARE IS #2-56

CONNECTOR LEAD TOLERANCE ± .010

CONNECTOR LEAD TOLERANCE ± .015

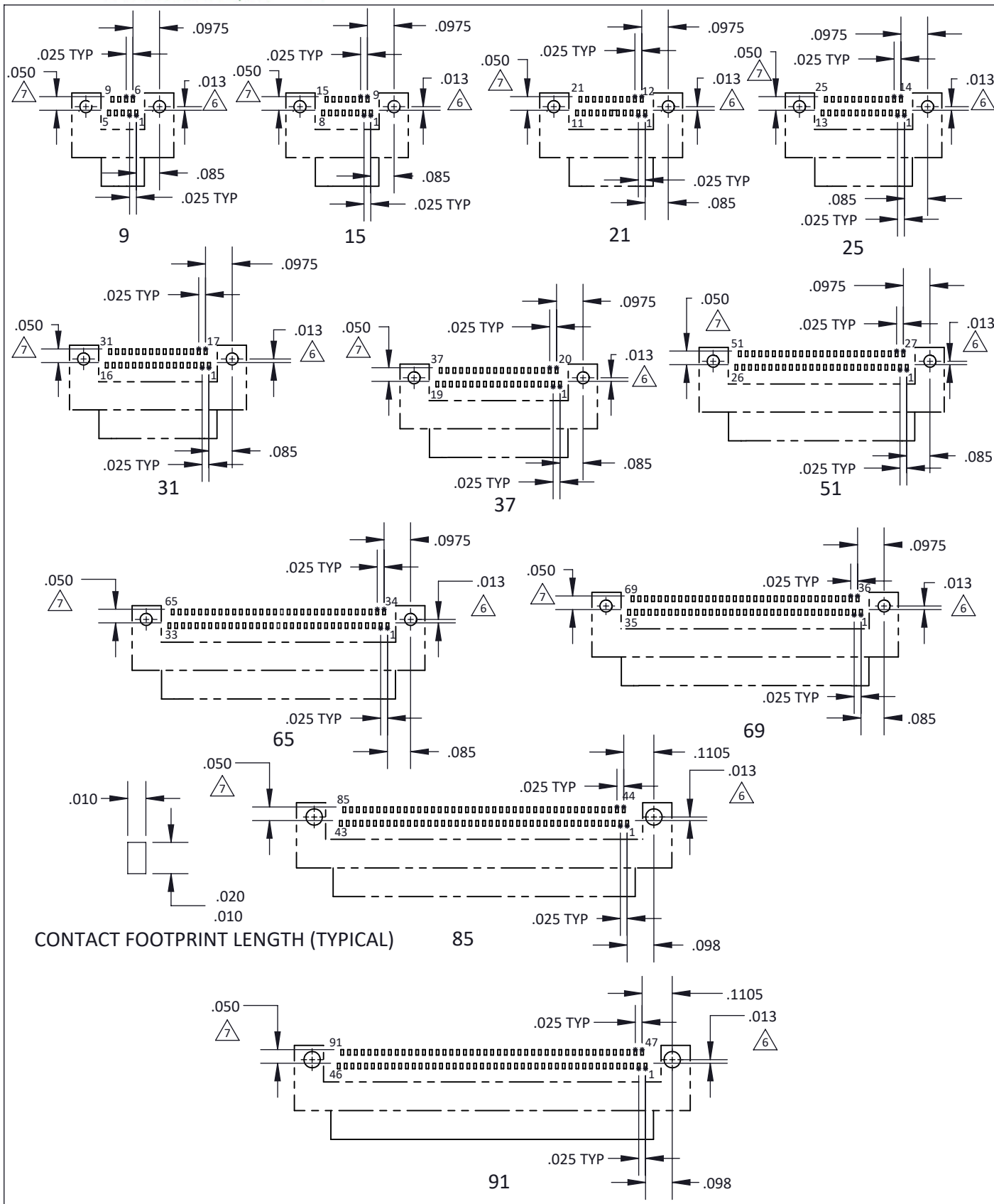
TOLERANCE: .XXX ± .005  
.XX ± .01  
ANGLE ± 1°

TITLE  
NANO METAL SHELL  
DUAL ROW RIGHT ANGLE  
SURFACE MOUNT

SHT 2 OF 4

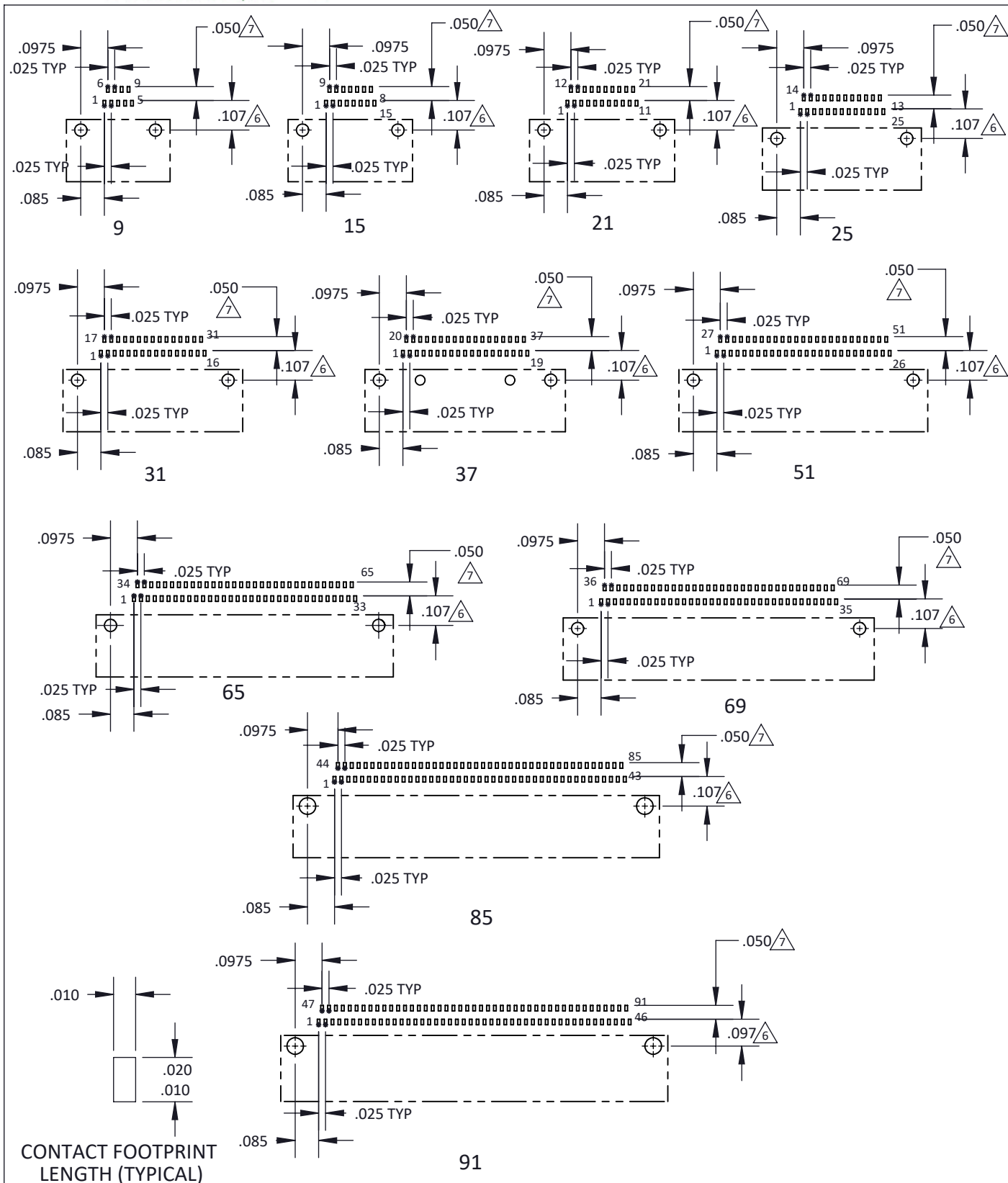
DWG. NO.  
SRN2

REV  
J



SRN2 PLUG PCB CONTACT FOOTPRINT

TOLERANCE: .XXX ±.005 .XX ±.01 ANGLE ±1°	TITLE NANO METAL SHELL DUAL ROW RIGHT ANGLE SURFACE MOUNT	SHT 3 OF 4	DWG. NO. SRN2	REV J
--	--	------------	------------------	----------



SRN2 RECEPTACLE PCB CONTACT FOOTPRINT

TOLERANCE: .XXX ±.005 .XX ±.01 ANGLE ±1°	TITLE NANO METAL SHELL DUAL ROW RIGHT ANGLE SURFACE MOUNT	SHT 4 OF 4	DWG. NO. SRN2	REV J
--	--	------------	------------------	----------