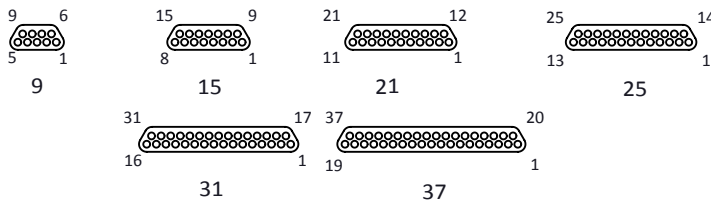
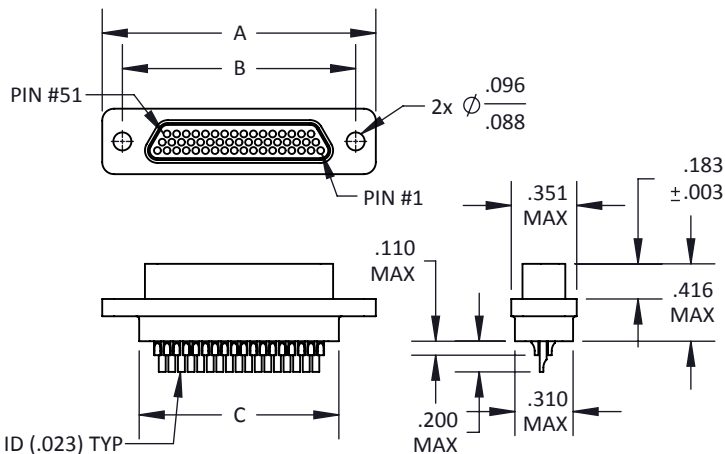
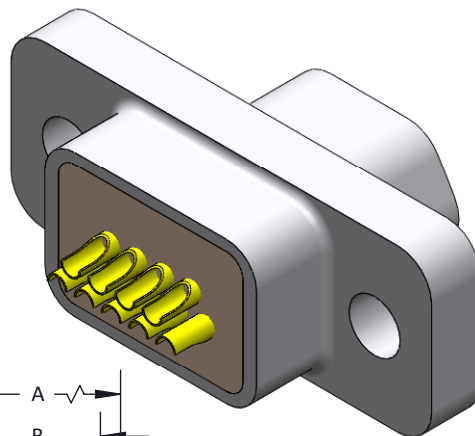


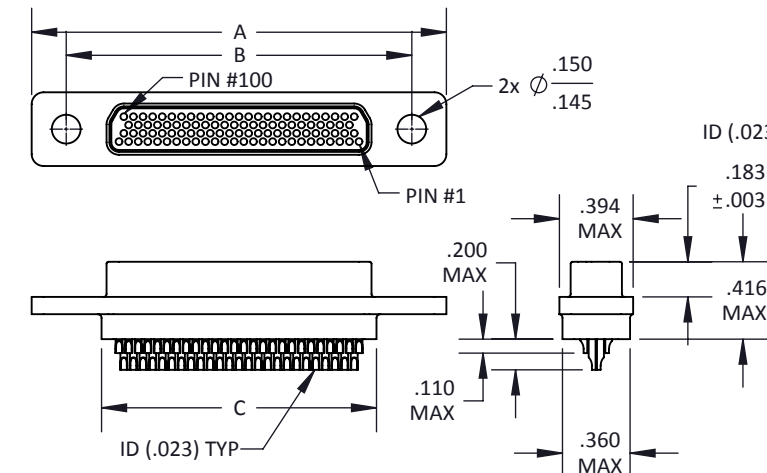
NO. OF CONTACTS	A MAX	B BSC	C MAX
9	.785	.565	.400
15	.935	.715	.550
21	1.085	.865	.700
25	1.185	.965	.800
31	1.335	1.115	.950
37	1.485	1.265	1.100
51	1.435	1.215	1.050
100	2.170	1.800	1.442



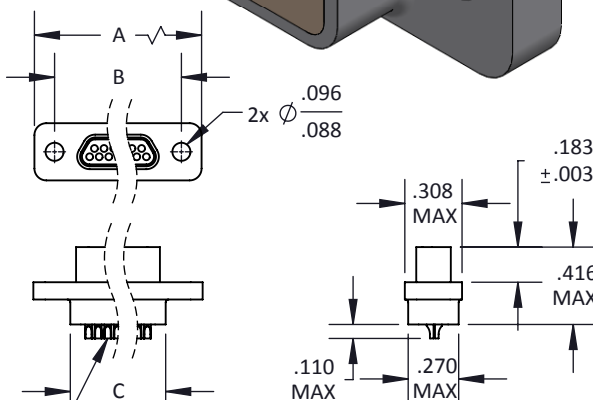
MATING FACE



51 CONTACTS



100 CONTACTS



9-37 CONTACTS

CIM 01 - X X

CRISTEK'S P/N EQUIVALENT TO M83513 MIL SPEC.

PLUG, CLASS M, SOLDER CUP PIN CONTACTS

NUMBER OF CONTACTS  
A = 9 D = 25 G = 51  
B = 15 E = 31 H = 100  
C = 21 F = 37

SHELL FINISH  
C = CADMIUM  
N = NICKEL

4. ADDITIONAL INFORMATION:  
FOR CROSS-REFERENCING CRISTEK PART NUMBERS TO M83513, SEE CROSS REFERENCE INFORMATION IN THE FRONT OF THIS SECTION. FOR MOUNTING HARDWARE OPTIONS, SEE THE HARDWARE PAGES AT THE END OF THIS SECTION

MATERIALS AND FINISHES ARE IAW MIL-DTL-83513 FOR DETAILS SEE MIL SPEC OR WWW.CRISTEK.COM

1. MATERIALS:

- SHELL - ALUMINUM ALLOY
- INSULATOR - GLASS FILLED THERMOPLASTIC
- PIN CONTACT - COPPER ALLOY

2. FINISH:

- SHELL - ELECTROLESS NICKEL OR CADMIUM OVER ELECTROLESS NICKEL
- CONTACT - GOLD OVER NICKEL

3. SPECIFICATIONS:

- CURRENT RATING ----- 3 AMPS MAX
- TEMPERATURE RATING ----- -55° C TO +125° C
- INSULATION RESISTANCE ----- 5000 MEGOHMS MIN
- DWV AT SEA LEVEL ----- 600 VAC
- DWV AT 70,000 FT ALTITUDE ----- 150 VAC
- CONTACT RETENTION ----- 5 lb MINIMUM AXIAL LOAD
- ENGAGEMENT FORCE ----- 6 oz MAX
- SEPARATION FORCE ----- 0.5 oz MIN

TOLERANCE: .XXX ±.005  
.XX ±.01  
ANGLE ±1°

TITLE  
MICROMINIATURE D METAL SHELL  
PLUG, SOLDER CUP

SHT 1 OF 1

DWG. NO.  
M83513/01

REV  
F