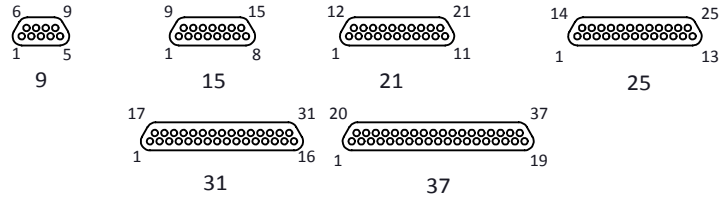
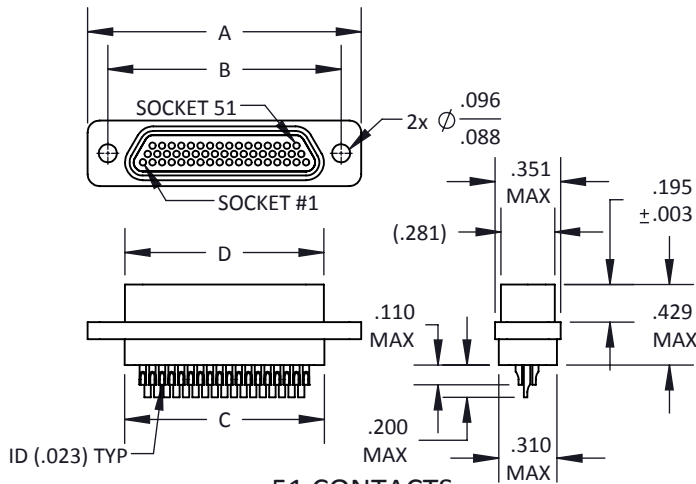
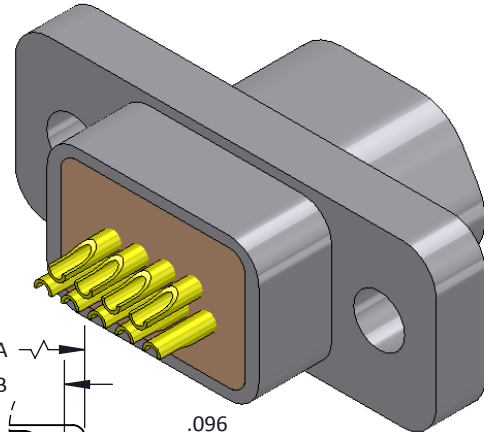


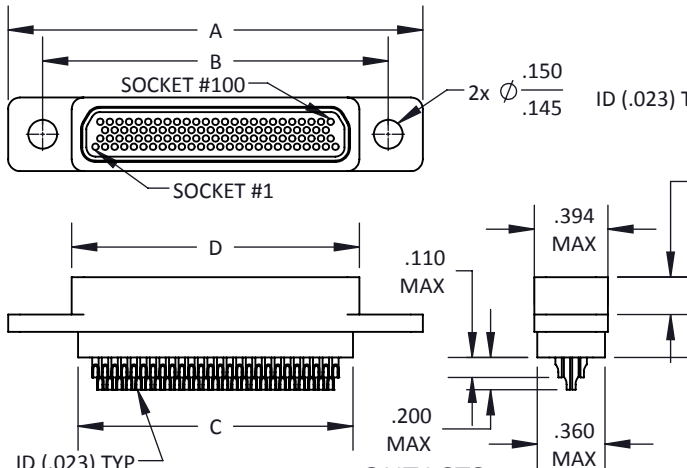
NO. OF CONTACTS	A MAX	B BSC	C MAX	D MAX
9	.785	.565	.400	.402
15	.935	.715	.550	.552
21	1.085	.865	.700	.702
25	1.185	.965	.800	.802
31	1.335	1.115	.950	.952
37	1.485	1.265	1.100	1.102
51	1.435	1.215	1.050	1.052
100	2.170	1.800	1.442	1.508



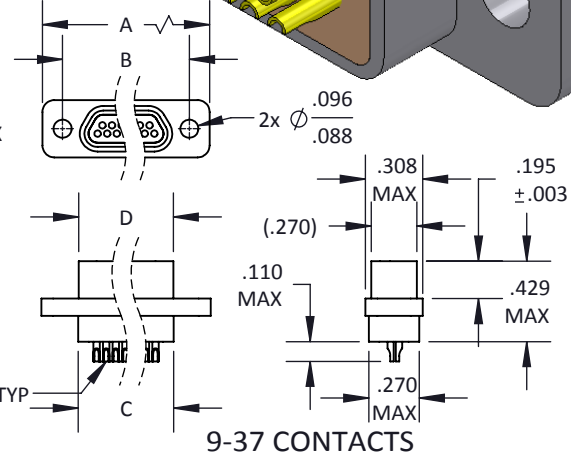
MATING FACE



51 CONTACTS



100 CONTACTS



9-37 CONTACTS

CIM 02 - X X

CRISTEK'S P/N EQUIVALENT TO M83513 MIL SPEC.

RECEPTACLE, CLASS M, SOLDER CUP SOCKET CONTACTS

NUMBER OF CONTACTS
A = 9 D = 25 G = 51
B = 15 E = 31 H = 100
C = 21 F = 37

SHELL FINISH
C = CADMIUM
N = NICKEL

MATERIALS AND FINISHES ARE IAW MIL-DTL-83513 FOR DETAILS SEE MIL SPEC OR WWW.CRISTEK.COM

1. MATERIALS:

- SHELL - ALUMINUM ALLOY
- INSULATOR - GLASS FILLED THERMOPLASTIC
- SOCKET CONTACT - COPPER ALLOY
- INTERFACIAL SEAL - FLUOROSILICONE BLEND

2. FINISH:

- SHELL - ELECTROLESS NICKEL OR CADMIUM OVER ELECTROLESS NICKEL
- SOCKET CONTACT - GOLD OVER NICKEL

3. SPECIFICATIONS:

- CURRENT RATING ----- 3 AMPS MAX
- TEMPERATURE RATING ----- -55° C TO +125° C
- INSULATION RESISTANCE ----- 5000 MEGOHMS MIN
- DWV AT SEA LEVEL ----- 600 VAC
- DWV AT 70,000 FT ALTITUDE ----- 150 VAC
- CONTACT RETENTION ----- 5 lb MINIMUM AXIAL LOAD
- ENGAGEMENT FORCE ----- 6 oz MAX
- SEPARATION FORCE ----- 0.5 oz MIN

4. ADDITIONAL INFORMATION:

FOR CROSS-REFERENCING CRISTEK PART NUMBERS TO M83513, SEE CROSS REFERENCE INFORMATION IN THE FRONT OF THIS SECTION. FOR MOUNTING HARDWARE OPTIONS, SEE THE HARDWARE PAGES AT THE END OF THIS SECTION

TOLERANCE: .XXX ±.005
.XX ±.01
ANGLE ±1°

TITLE
MICROMINIATURE D METAL SHELL
RECEPTACLE, SOLDER CUP

SHT 1 OF 1

DWG. NO.
M83513/02

REV
G