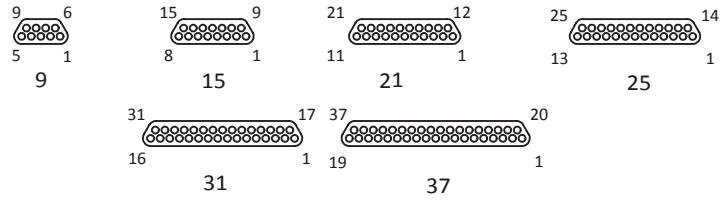
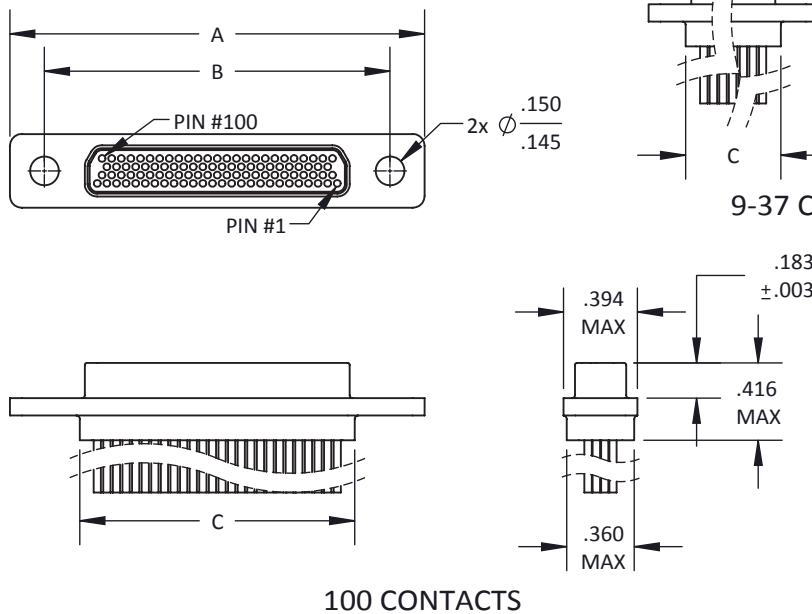
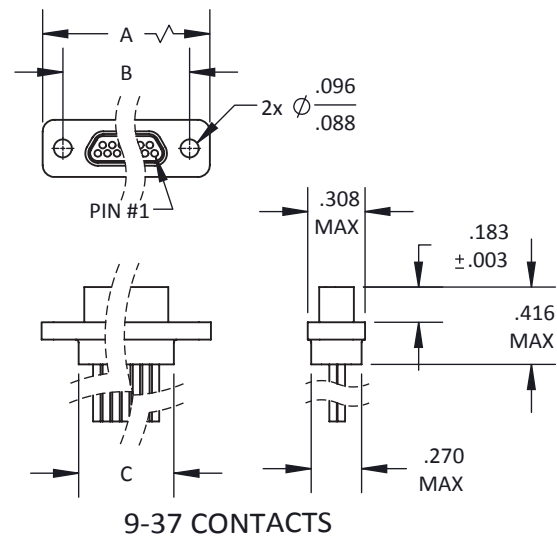
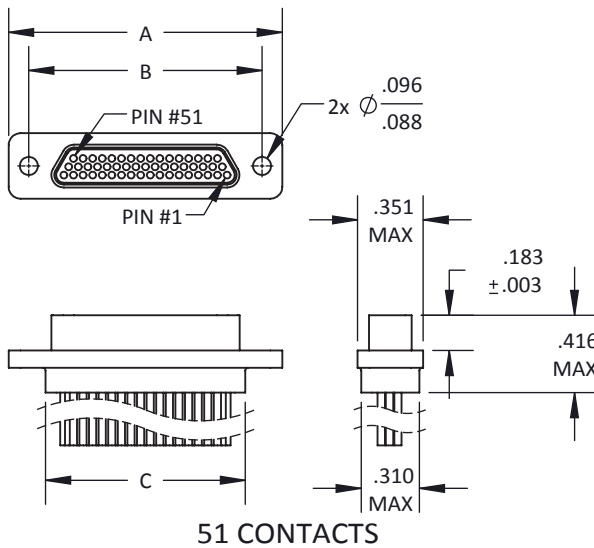
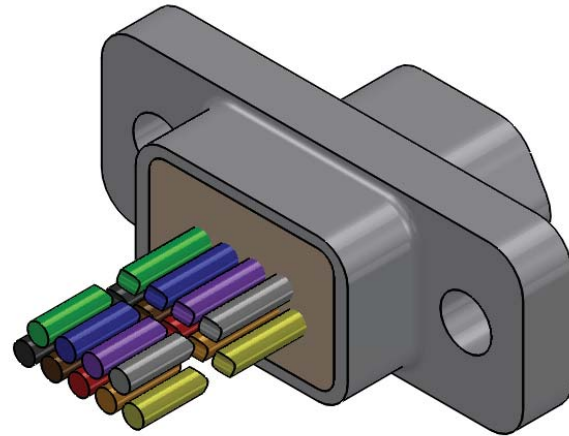


NO. OF CONTACTS	A MAX	B BSC	C MAX
9	.785	.565	.400
15	.935	.715	.550
21	1.085	.865	.700
25	1.185	.965	.800
31	1.335	1.115	.950
37	1.485	1.265	1.100
51	1.435	1.215	1.050
100	2.170	1.800	1.442



MATING FACE



TOLERANCE: .XXX ±.005  
.XX ±.01  
ANGLE ±1°

TITLE  
MICROMINIATURE D METAL SHELL  
PLUG, CRIMPED-PREWIRED

SHT 1 OF 2

DWG. NO.  
M83513/03

REV  
G



MICROMINIATURE D METAL SHELL  
PLUG, CRIMPED-PREWIRED

WIRE OPTIONS TABULATION BLOCK						
LENGTH	+1.00 -0.00			+200 -.000		WIRE TYPE
	18"	36"	72"	.5"	1.0"	
DASH NUMBER	01	02	13	/	/	M22759/11-26-9 (ALL WHITE)
	03	04	14	/	/	M22759/11-26-*** COLOR CODE PER M83513
	09	10	15	/	/	M22759/33-26-9 (ALL WHITE)
	11	12	16	/	/	M22759/33-26-*** COLOR CODE PER M83513
	/	/	/	05	/	QQ-W-343, TYPE S 25 AWG GOLD PLATE .000010" MIN
	/	/	/	/	06	QQ-W-343, TYPE S 25 AWG GOLD PLATE .000010" MIN
	/	/	/	/	07	QQ-W-343, TYPE S 25 AWG TIN/LEAD PLATE .000100" MIN
	/	/	/	/	08	QQ-W-343, TYPE S 25 AWG TIN/LEAD PLATE .000100" MIN

CIM 03 - X XX X

CRISTEK'S P/N EQUIVALENT TO M83513 MIL SPEC.

PLUG, CLASS M, CRIMPED  
PRE-WIRED NON REMOVABLE PIN CONTACTS

NUMBER OF CONTACTS  
A = 9 D = 25 G = 51  
B = 15 E = 31 H = 100  
C = 21 F = 37

WIRE OPTIONS  
SEE TABULATION BLOCK

SHELL FINISH  
C = CADMIUM  
N = NICKEL

MATERIAL AND FINISHES ARE IAW MIL-DTL-83513  
FOR DETAILS SEE MIL SPEC OR WWW.CRISTEK.COM

1. MATERIALS:

- SHELL - ALUMINUM ALLOY
- INSULATOR - GLASS FILLED THERMOPLASTIC
- PIN CONTACT - COPPER ALLOY
- WIRE - SEE TABULATION BLOCK

2. FINISH:

- SHELL - ELECTROLESS NICKEL OR CADMIUM OVER ELECTROLESS NICKEL
- PIN CONTACT - GOLD OVER NICKEL

3. SPECIFICATIONS:

- CURRENT RATING ----- 3 AMPS MAX
- TEMPERATURE RATING ----- -55° C TO +125° C
- INSULATION RESISTANCE ----- 5000 MEGOHMS MIN
- DWV AT SEA LEVEL ----- 600 VAC
- DWV AT 70,000 FT ALTITUDE ---- 150 VAC
- CONTACT RESISTANCE:  
26 AWG (STRANDED) = 28 MILLIOHMS MAX  
24 & 25 AWG (SOLID) = 25 MILLIOHMS MAX
- CONTACT RETENTION ----- 5 lb MINIMUM AXIAL LOAD
- ENGAGEMENT FORCE ----- 6 oz MAX
- SEPARATION FORCE ----- 0.5 oz MIN

4. ADDITIONAL INFORMATION:

- FOR CROSS-REFERENCING CRISTEK PART NUMBERS TO M83513, SEE CROSS REFERENCE INFORMATION IN THE FRONT OF THIS SECTION.
- FOR MOUNTING HARDWARE OPTIONS, SEE THE HARDWARE PAGES AT THE END OF THIS SECTION

TOLERANCE: .XXX ±.005  
.XX ±.01  
ANGLE ±1°

TITLE  
MICROMINIATURE D METAL SHELL  
PLUG, CRIMPED-PREWIRED

SHT 2 OF 2

DWG. NO.  
M83513/03

REV  
G