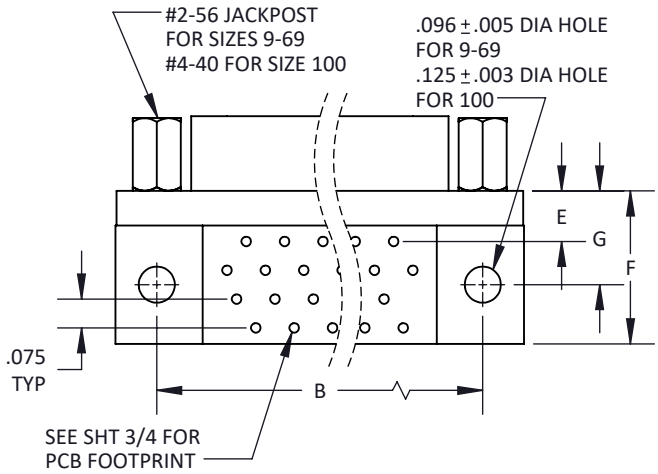
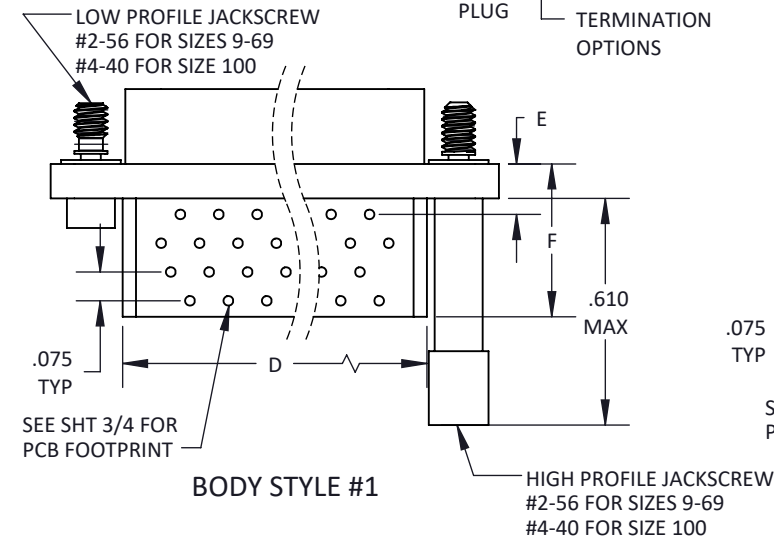
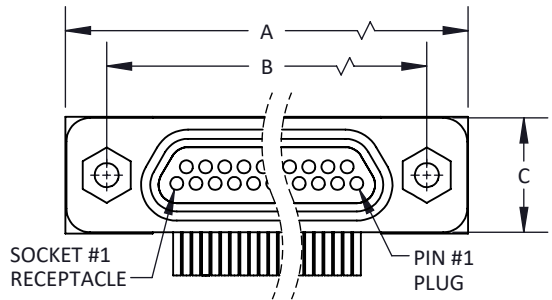
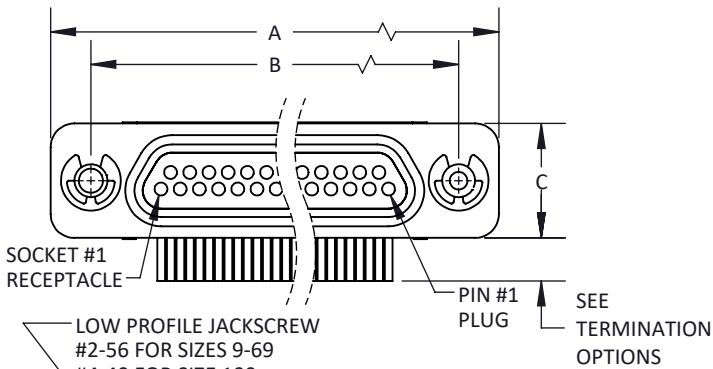
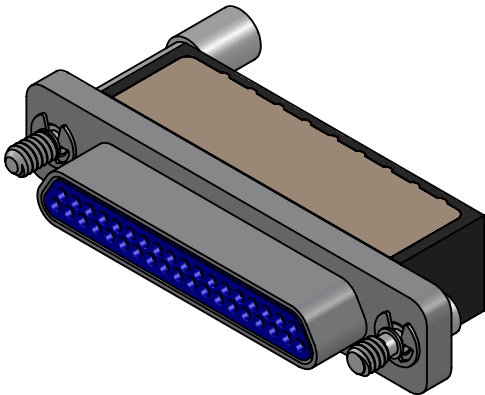
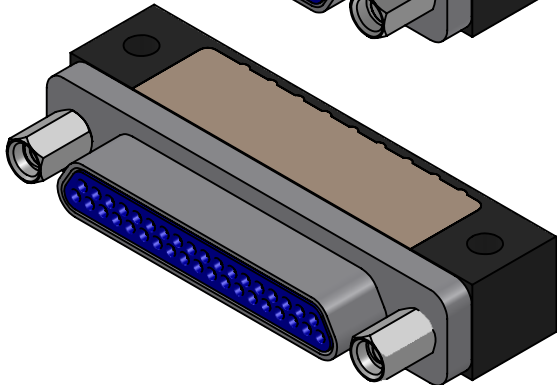
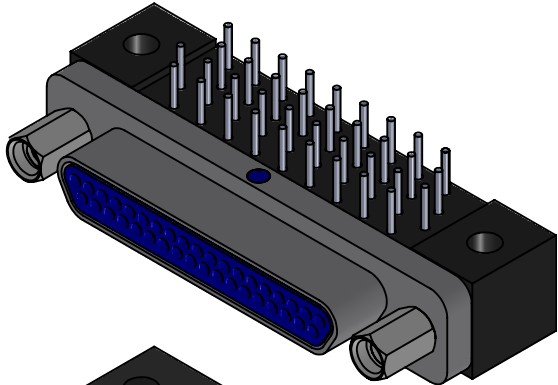


| NO. OF CONTACTS | A<br>MAX | B<br>BSC | C<br>MAX | D MAX<br>BODY<br>STYLE #1 | E<br>MAX | F<br>MAX | G<br>MAX |
|-----------------|----------|----------|----------|---------------------------|----------|----------|----------|
| 9               | .785     | .565     | .308     | .400                      | .138     | .410     | .250     |
| 15              | .935     | .715     | .308     | .550                      | .138     | .410     | .250     |
| 21              | 1.085    | .865     | .308     | .700                      | .138     | .410     | .250     |
| 25              | 1.185    | .965     | .308     | .800                      | .138     | .410     | .250     |
| 31              | 1.335    | 1.115    | .308     | .950                      | .138     | .410     | .250     |
| 37              | 1.485    | 1.265    | .308     | 1.100                     | .138     | .410     | .250     |
| 51              | 1.435    | 1.215    | .351     | 1.045                     | .145     | .500     | .295     |
| 69              | 1.735    | 1.515    | .351     | 1.350                     | .145     | .500     | .295     |
| 100             | 2.170    | 1.800    | .394     | 1.550                     | .163     | .615     | .350     |



TOLERANCE: .XXX ± .005  
.XX ± .01  
ANGLE ± 1°

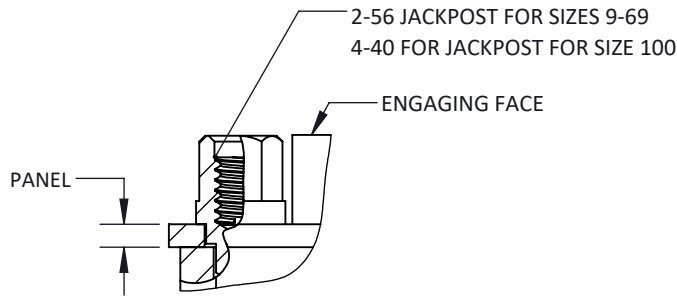
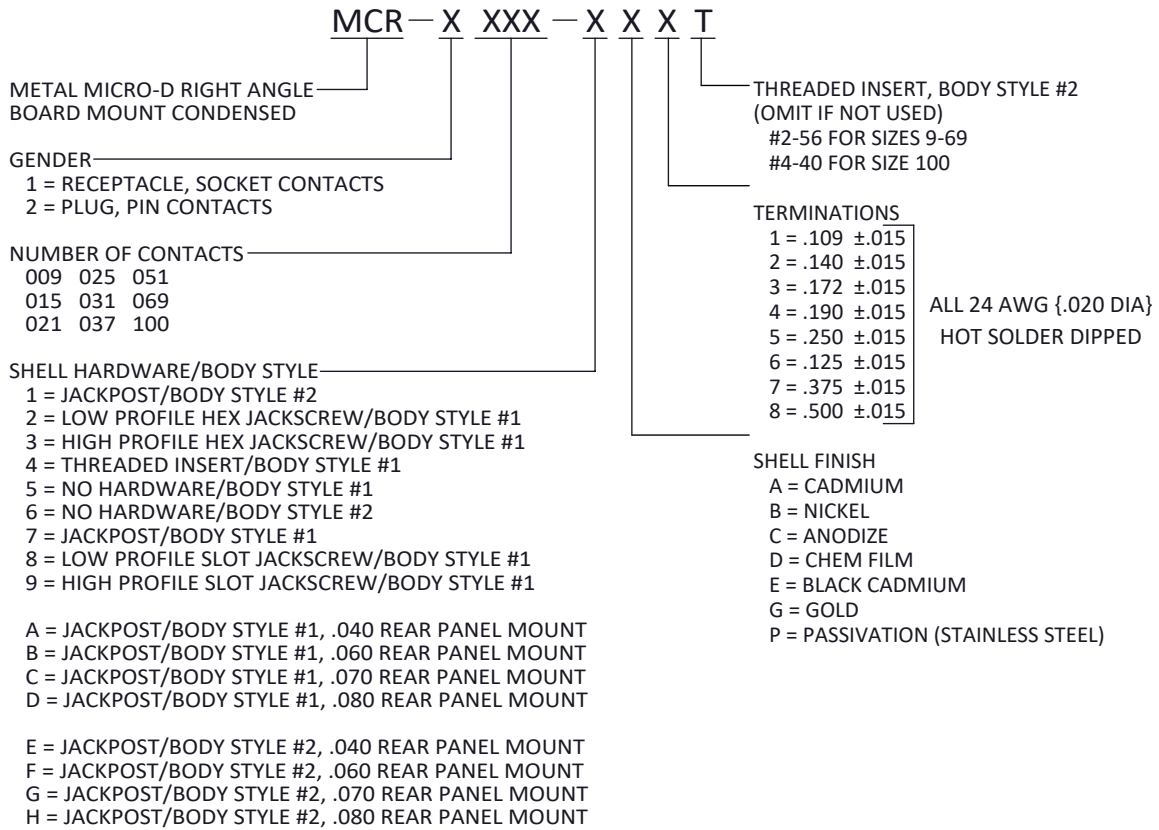
TITLE  
**MICRO-D METAL SHELL,  
RIGHT ANGLE BOARD MOUNT,  
CONDENSED**

SHT 1 OF 4

DWG. NO.  
**MCR**

REV  
**R**

**MICRO-D METAL SHELL,  
RIGHT ANGLE BOARD MOUNT, CONDENSED**



**REAR PANEL MOUNT  
BODY STYLE #1 SHOWN**

MATERIALS AND FINISHES ARE IAW MIL-DTL-83513  
FOR DETAILS SEE MIL SPEC OR WWW.CRISTEK.COM

**1. MATERIALS:**

SHELL - ALUMINUM ALLOY OR STAINLESS STEEL  
INSULATOR/BACKSHELL - GLASS FILLED THERMOPLASTIC  
PIN/SOCKET CONTACT - COPPER ALLOY  
INTERFACIAL SEAL - FLUOROSILICONE BLEND

**2. FINISH:**

SHELL - SEE OPTIONS ABOVE  
PIN/SOCKET CONTACT - GOLD OVER NICKEL

**3. SPECIFICATIONS:**

CURRENT RATING ----- 3 AMPS MAX  
TEMPERATURE RATING ----- -55° C TO +125° C  
INSULATION RESISTANCE ----- 5000 MEGOHMS MIN  
DWV AT SEA LEVEL ----- 600 VAC  
DWV AT 70,000 FT ALTITUDE -- 150 VAC  
CONTACT RESISTANCE ----- 65 mV DROP MAX AT 2.5 AMPS  
CONTACT RETENTION ----- 5 lb MINIMUM AXIAL LOAD  
ENGAGEMENT FORCE ----- 6 oz MAX  
SEPARATION FORCE ----- 0.5 oz MIN

**4. ADDITIONAL INFORMATION:**

DESIGN AND PERFORMANCE IN GENERAL  
ACCORDANCE WITH M83513 WHERE APPLICABLE.  
CONTACT CRISTEK FOR RoHS AND OTHER  
CONFIGURATIONS.

TOLERANCE: .XXX ±.005  
.XX ±.01  
ANGLE ±1°

TITLE  
**MICRO-D METAL SHELL,  
RIGHT ANGLE BOARD MOUNT,  
CONDENSED**

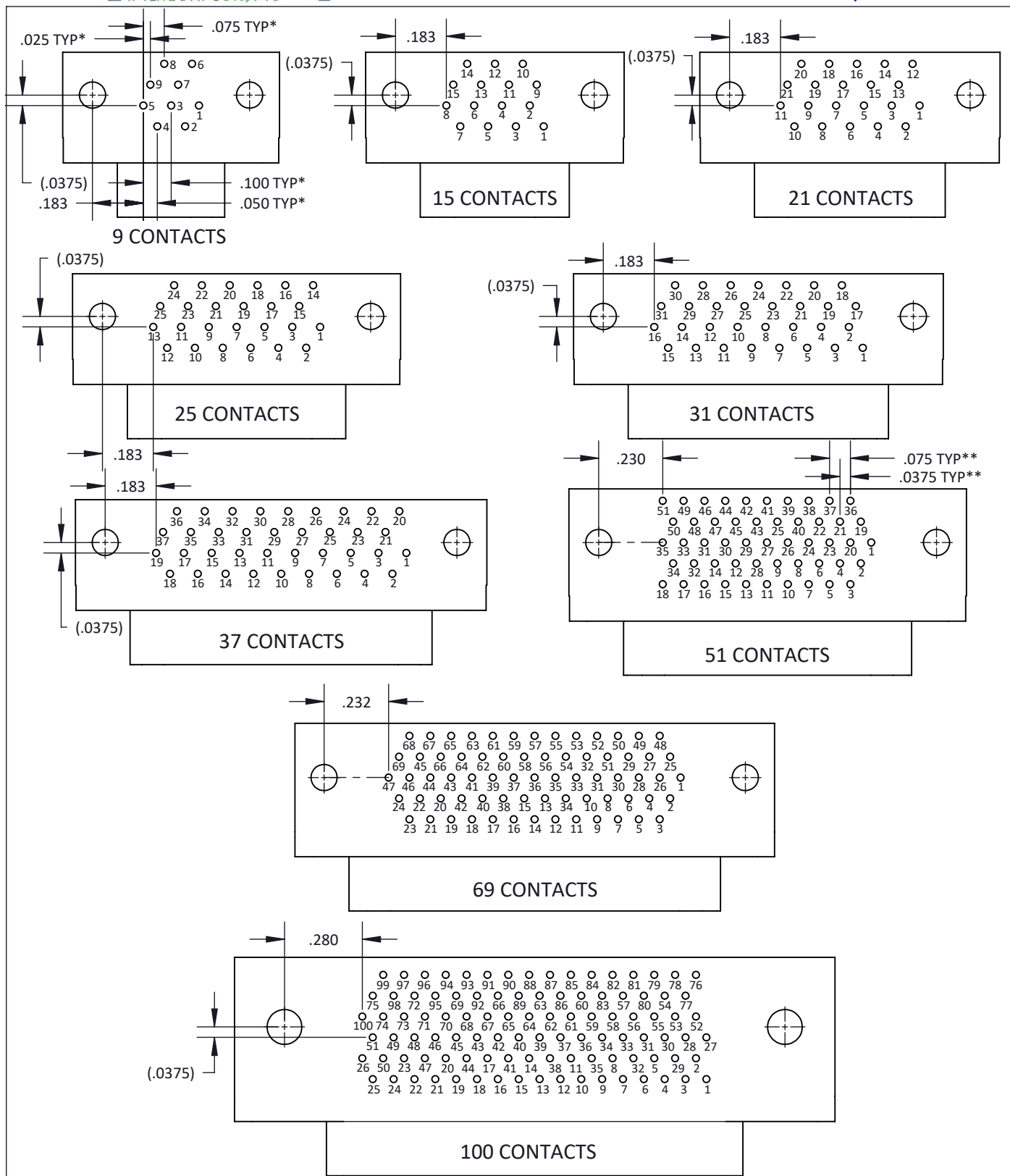
SHT 2 OF 4

DWG. NO.

MCR

REV

**R**

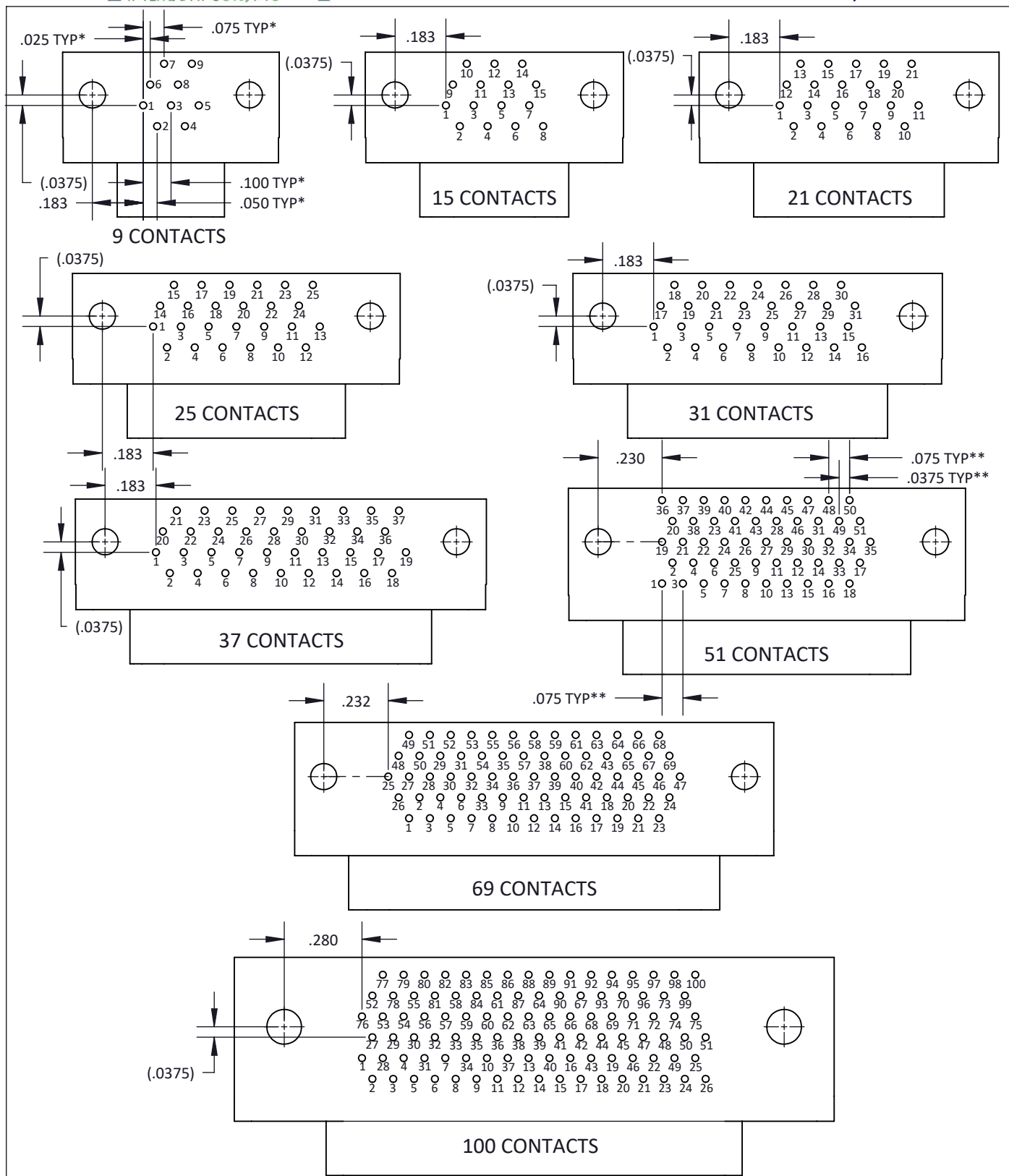


MCR PLUG PCB LAYOUTS

\* SIZES 9-37: .100 X .075 GRID PATTERN OFFSET BY .050

\*\* SIZES 51-100: .075 X .075 GRID PATTERN OFFSET BY .0375

|   |  |                   |                         |                  |
|---|--|-------------------|-------------------------|------------------|
| <p>TOLERANCE: .XXX ±.005<br/>.XX ±.01<br/>ANGLE ±1°</p> | <p>TITLE<br/>MICRO-D METAL SHELL,<br/>RIGHT ANGLE BOARD MOUNT,<br/>CONDENSED</p> | <p>SHT 3 OF 4</p> | <p>DWG. NO.<br/>MCR</p> | <p>REV<br/>R</p> |
|---|--|-------------------|-------------------------|------------------|



MCR RECEPTACLE PCB LAYOUTS

\* SIZES 9-37: .100 X .075 GRID PATTERN OFFSET BY .050

\*\* SIZES 51-100: .075 X .075 GRID PATTERN OFFSET BY .0375

|  |  |            |                 |          |
|--|--|------------|-----------------|----------|
| TOLERANCE: .XXX ±.005<br>.XX ±.01<br>ANGLE ±1° | TITLE<br>MICRO-D METAL SHELL,<br>RIGHT ANGLE BOARD MOUNT,<br>CONDENSED | SHT 4 OF 4 | DWG. NO.<br>MCR | REV<br>R |
|--|--|------------|-----------------|----------|