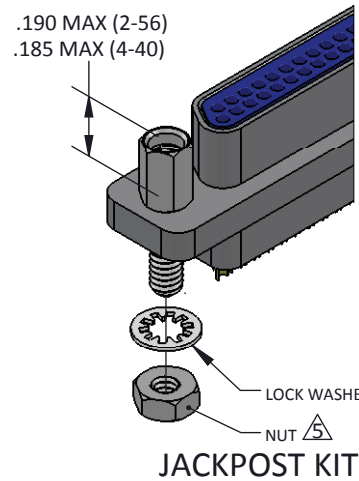
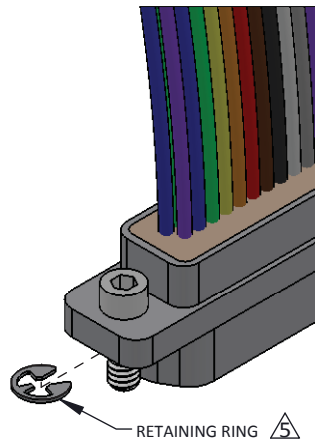
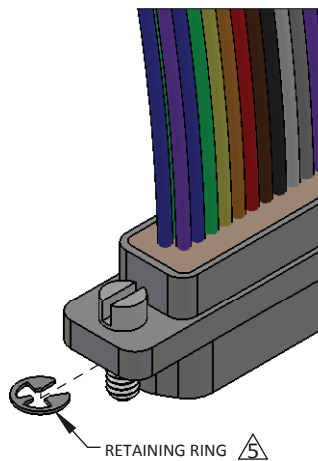


**HIGH PROFILE JACKSCREWS**

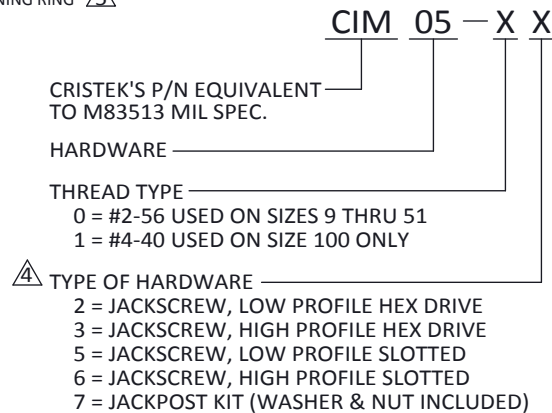


**JACKPOST KIT**



**LOW PROFILE JACKSCREWS**

MILITARY CROSS REFERENCE	
M83513/05-02	CIM05-02
M83513/05-03	CIM05-03
M83513/05-05	CIM05-05
M83513/05-06	CIM05-06
M83513/05-07	CIM05-07
M83513/05-12	CIM05-12
M83513/05-13	CIM05-13
M83513/05-15	CIM05-15
M83513/05-16	CIM05-16
M83513/05-17	CIM05-17



MATERIALS AND FINISHES ARE IAW MIL-DTL-83513 FOR DETAILS SEE MIL SPEC OR WWW.CRISTEK.COM

- MATERIAL:  
JACKPOSTS & JACKSCREWS - STAINLESS STEEL
- FINISH:  
JACKPOSTS & JACKSCREWS - PASSIVATED
- HARDWARE KITS:  
JACKPOST KITS INCLUDE 2 EACH: JACKPOSTS, LOCK WASHERS, NUTS  
JACKSCREW KITS INCLUDE 2 EACH: JACKSCREWS, RETAINING RINGS

△ IF SPECIFIED, HARDWARE ON THE SAME SALES ORDER AS THE CONNECTOR CAN BE INSTALLED BY CRISTEK AT NO CHARGE. HARDWARE IS CERTIFIED TO MIL-DTL-83513/05.

△ RETAINING RINGS, LOCK WASHERS & NUTS PER MIL-DTL-83513/05.

6. ADDITIONAL INFORMATION:  
OTHER HARDWARE IS ALSO AVAILABLE TO MEET SPECIFIC APPLICATION REQUIREMENTS. SEE HARDWARE APPLICATION NOTES AT THE BACK OF THIS SECTION.

TOLERANCE: .XXX ±.005  
.XX ±.01  
ANGLE ±1°

TITLE  
**MILITARY HARDWARE**

SHT 1 OF 1

DWG. NO.  
**M83513/05**

REV  
**F**