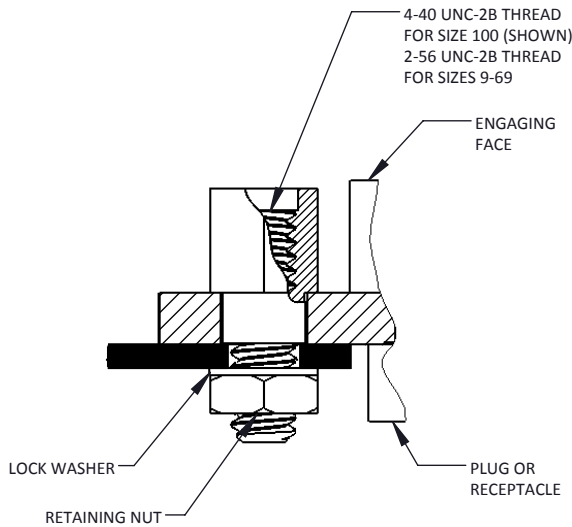
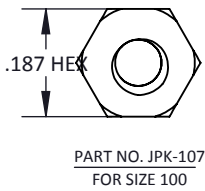
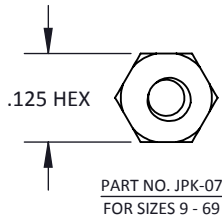
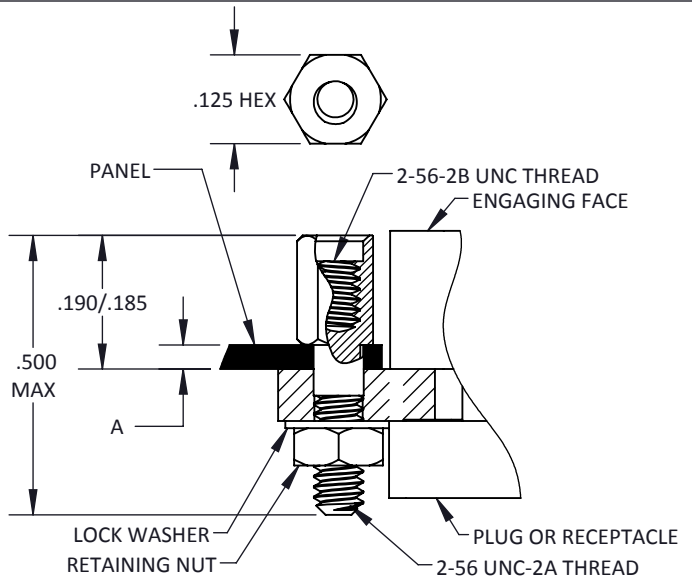


**JACKPOST HARDWARE
FRONT & REAR PANEL MOUNT**

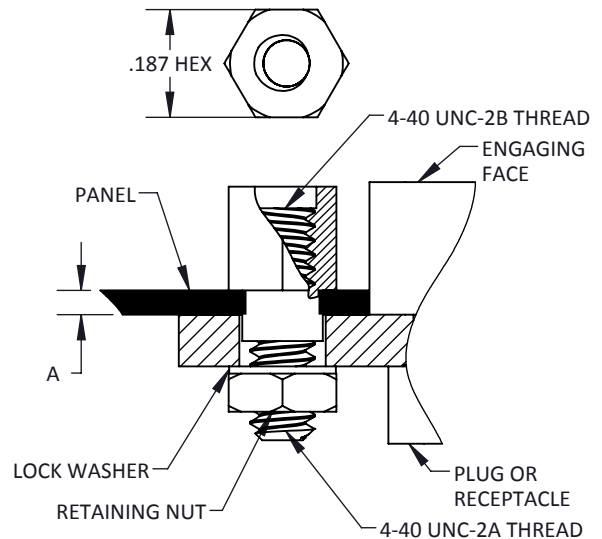


**FRONT PANEL MOUNT HARDWARE
FOR PLUG & RECEPTACLE**



| PANEL THICKNESS | DIMEN "A" | JACKPOST P/N | JACKPOST KIT P/N ^Δ |
|-----------------|-----------|--------------|-------------------------------|
| 3/32 | .087 | JP-01 | JPK-01 |
| 1/16 | .056 | JP-02 | JPK-02 |
| 3/64 | .042 | JP-03 | JPK-03 |
| 1/32 | .025 | JP-04 | JPK-04 |
| .050 | .043 | JP-05 | JPK-05 |

SIZES 9-69
REAR PANEL MOUNT HARDWARE
FOR PLUG & RECEPTACLE



| PANEL THICKNESS | DIMEN "A" | JACKPOST P/N | JACKPOST KIT P/N ^Δ |
|-----------------|-----------|--------------|-------------------------------|
| 3/32 | .087 | JP-101 | JPK-101 |
| 1/16 | .056 | JP-102 | JPK-102 |
| 3/64 | .042 | JP-103 | JPK-103 |
| 1/32 | .025 | JP-104 | JPK-104 |

SIZE 100
REAR PANEL MOUNT HARDWARE
FOR PLUG & RECEPTACLE

1. ALL JACKPOST KITS INCLUDE 2 JACKPOSTS, 2 LOCK WASHERS AND 2 NUTS.

^ΔMATERIALS AND PERFORMANCE IN ACCORDANCE WITH M83513/05.

TOLERANCE: .XXX ±.005
.XX ±.01
ANGLE ±1°

TITLE
**JACKPOST HARDWARE
FRONT & REAR PANEL MOUNT**

SHT 1 OF 1

DWG. NO.
JPK

REV
J