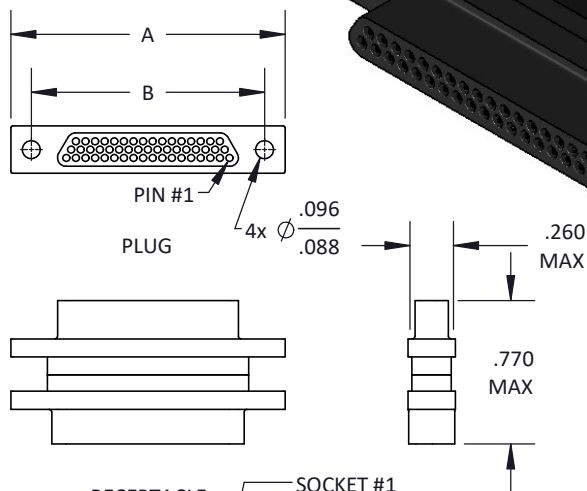
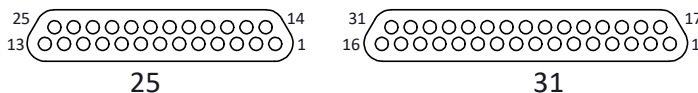
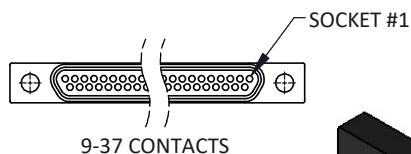
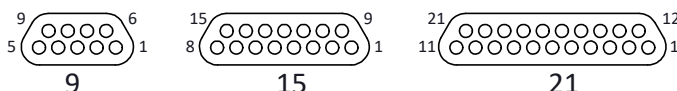


NO. OF CONTACTS	A MAX	B
9	.788	.565
15	.938	.715
21	1.088	.865
25	1.188	.965
31	1.338	1.115
37	1.488	1.265
51	1.438	1.215



MATING FACE PLUG
MIRROR IMAGE FOR RECEPTACLE

PSAV - X - X - X

MICRO-D PLASTIC SHELL
CONNECTOR SAVER

NUMBER OF CONTACTS
A = 9 D = 25 G = 51
B = 15 E = 31
C = 21 F = 37

INSULATOR HARDWARE
0 = NONE
1 = JACKPOST / RECEPTACLE SIDE
2 = JACKPOST / PLUG SIDE
3 = JACKSCREW & JACKPOST COMBO / PLUG SIDE
4 = JACKSCREW & JACKPOST COMBO / RECEPTACLE SIDE

CUSTOM OPTIONS
(CONTACT CRISTEK FOR YOUR CUSTOM NEEDS)

MATERIALS AND FINISHES ARE IAW MIL-DTL-83513
FOR DETAILS SEE MIL SPEC OR WWW.CRISTEK.COM

1. MATERIALS:

INSULATOR - GLASS FILLED THERMOPLASTIC
PIN/SOCKET CONTACT - COPPER ALLOY

2. FINISH:

CONTACT - GOLD OVER NICKEL

3. SPECIFICATIONS:

CURRENT RATING ----- 3 AMPS MAX
TEMPERATURE RATING ----- -55° C TO +125° C
INSULATION RESISTANCE ----- 5000 MEGOHMS MIN
DWV AT SEA LEVEL ----- 600 VAC
DWV AT 70,000 FT ALTITUDE --- 150 VAC
CONTACT RESISTANCE ----- 8 MILLIOHMS MAX AT 2.5 AMPS
LOW LEVEL CONTACT ----- 10 MILLIOHMS MAX
RESISTANCE
CONTACT RETENTION ----- 5 lb MINIMUM AXIAL LOAD
ENGAGEMENT FORCE ----- 6 oz MAX
SEPARATION FORCE ----- 0.5 oz MIN

4. ADDITIONAL INFORMATION:

DESIGN AND PERFORMANCE IN GENERAL
ACCORDANCE WITH M83513.

TOLERANCE: .XXX ±.005
.XX ±.01
ANGLE ±1°

TITLE

MICRO-D PLASTIC
CONNECTOR SAVER

SHT 1 OF 1

DWG. NO.

PSAV

REV

F