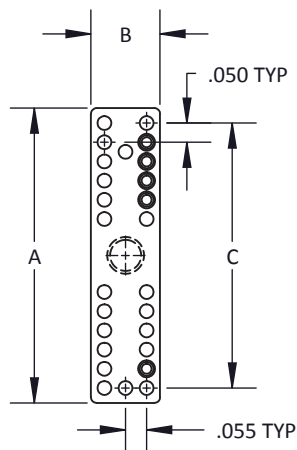
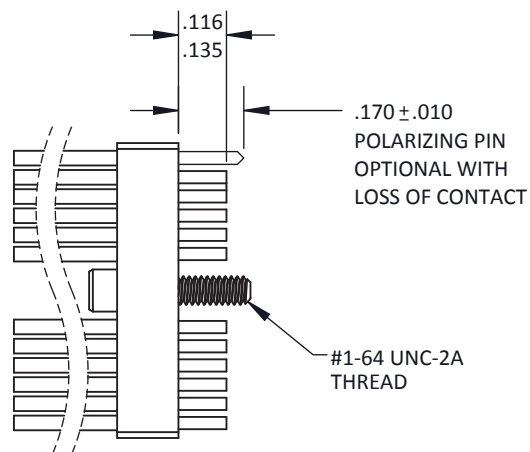


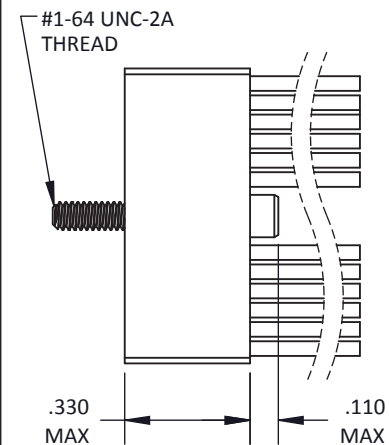
PLUG



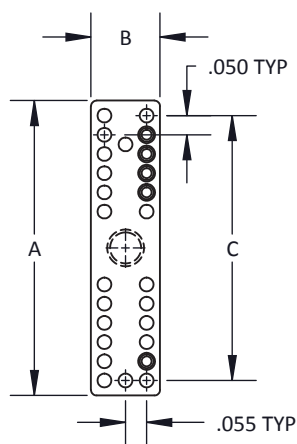
REAR VIEW  
PLUG AND RECEPTACLE  
SIZE 26 SHOWN



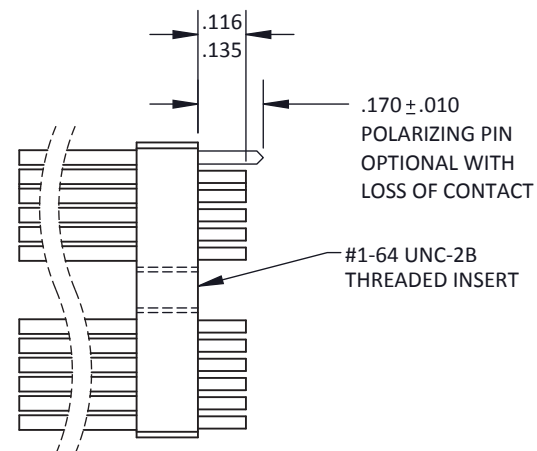
RECEPTACLE



PLUG



REAR VIEW  
PLUG AND RECEPTACLE  
SIZE 26 SHOWN

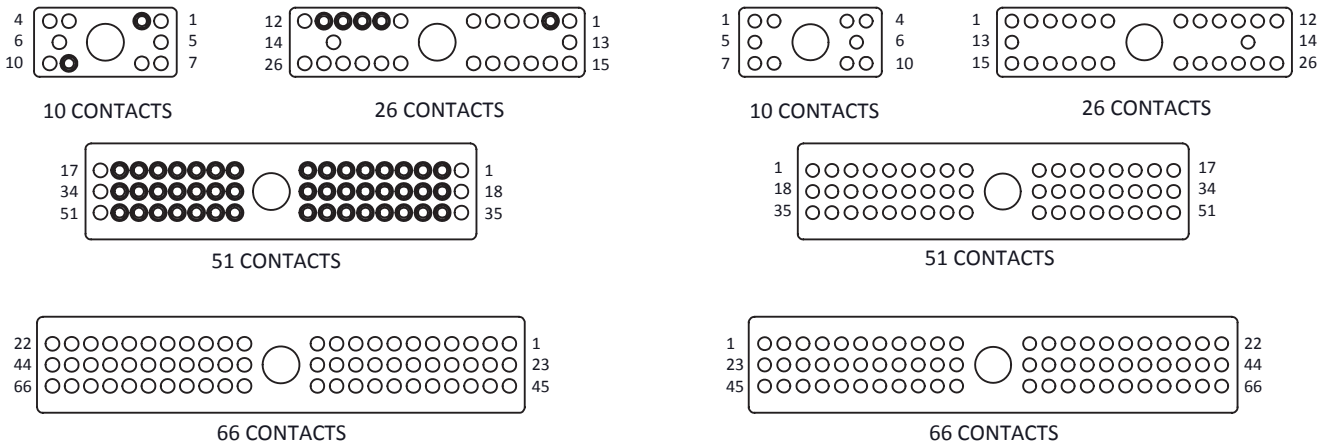


RECEPTACLE

| NO. OF CONTACTS | A<br>MAX | B<br>MAX | C<br>MAX |
|-----------------|----------|----------|----------|
| 10              | .373     | .185     | .290     |
| 26              | .773     | .185     | .690     |
| 51              | 1.023    | .255     | .940     |
| 66              | 1.275    | .255     | 1.190    |

DIMENSIONS APPLY TO PLUG AND RECEPTACLE

|   |                    |            |                 |          |
|---|--------------------|------------|-----------------|----------|
| TOLERANCE: .XXX ± .005<br>.XX ± .01<br>ANGLE ± 1° | TITLE<br>MINI JACK | SHT 1 OF 2 | DWG. NO.<br>CMJ | REV<br>M |
|---|--------------------|------------|-----------------|----------|



PLUG MATING FACE

RECEPTACLE MATING FACE

**CMJ -XX X-X X X X X X X**

|   |   |
|---|---|
| <p>CRISTEK MINI-JACK _____</p> <p>NUMBER OF CONTACTS _____</p> <p style="margin-left: 20px;">10 51<br/>26 66</p> <p>GENDER _____</p> <p style="margin-left: 20px;">P = PLUG, PIN CONTACTS<br/>S = RECEPTACLE, SOCKET CONTACTS</p> <p>HARDWARE _____</p> <p style="margin-left: 20px;">FACTORY INSTALLED (NON-REMOVABLE)<br/>T = THREADED INSERT (STD IN PLUG)<br/>L = LOW PROFILE HEX DRIVE JACKSCREW<br/>(STANDARD IN RECEPTACLE)</p> <p>INSULATOR MATERIAL _____</p> <p style="margin-left: 20px;">5 = POLYPHENYLENE SULFIDE*</p> <p>TERMINATION _____</p> <p style="margin-left: 20px;">0000 - SOLDER CUP*</p> <p>WIRE TYPE _____</p> <p style="margin-left: 20px;">STRANDED<br/>H = HARNESS (MIL-W-16878/4)<br/>M = MILITARY (MIL-W-22759/11)*<br/>S = SPACE (MIL-W-22759/33)</p> <p>SOLID _____</p> <p style="margin-left: 20px;">G = GOLD PLATED COPPER<br/>T = SOLDER DIPPED COPPER*</p> | <p>WIRE LENGTH (+1.00 / -0.00) _____</p> <p>STRANDED</p> <p style="margin-left: 20px;">1 = 6 INCHES<br/>2 = 12 INCHES<br/>3 = 18 INCHES<br/>4 = 24 INCHES<br/>5 = 36 INCHES<br/>6 = 72 INCHES</p> <p>SOLID COPPER (+0.20 / -0.00)</p> <p style="margin-left: 20px;">1 = 0.5 INCHES<br/>2 = 1.0 INCHES<br/>3 = 0.25 INCHES</p> <p>WIRE SIZE _____</p> <p>STRANDED WIRE</p> <p style="margin-left: 20px;">0 = 26 AWG<br/>1 = 24 AWG<br/>2 = 28 AWG</p> <p>SOLID WIRE</p> <p style="margin-left: 20px;">0 = 25 AWG<br/>1 = 24 AWG</p> <p>WIRE COLOR/TYPE _____</p> <p style="margin-left: 20px;">0 = WHITE STRANDED*<br/>1 = YELLOW STRANDED<br/>2 = 10 SOLID COLORS REPEATED*<br/>3 = FULL COLOR CODE STRANDED<br/>9 = SOLID COPPER</p> |
|---|---|

\* = MOST COMMONLY USED & STOCKED  
WIRE TYPES AND HARDWARE OPTIONS

MATERIALS AND FINISHES ARE IAW M83513 WHERE APPLICABLE.  
FOR DETAILS SEE MIL-SPEC OR WWW.CRISTEK.COM

- |  |  |  |
|--|--|--|
| <p><b>1. MATERIALS:</b></p> <p>INSULATOR - GLASS FILLED THERMOPLASTIC<br/>CONTACT - COPPER ALLOY<br/>HARDWARE - STAINLESS STEEL</p> <p><b>2. FINISH:</b></p> <p>HARDWARE - PASSIVATED<br/>CONTACT - GOLD OVER NICKEL</p> | <p><b>3. SPECIFICATIONS:</b></p> <p>CURRENT RATING ----- 3 AMP MAX<br/>TEMPERATURE RATING ----- -55° C TO +125° C<br/>INSULATION RESISTANCE ----- 5000 MEGOHMS<br/>DWV AT SEA LEVEL ----- 600 VAC<br/>DWV AT 70,000 FT ALTITUDE --- 150 VAC<br/>CONTACT RESISTANCE ----- 8 MILLIOHMS MAX AT 2.5 AMPS<br/>LOW LEVEL CONTACT----- 10 MILLIOHMS MAX<br/>RESISTANCE<br/>CONTACT RETENTION ----- 5 LBS MINIMUM AXIAL LOAD<br/>ENGAGEMENT FORCE ----- 6 oz MAX<br/>SEPARATION FORCE ----- 0.5 oz MIN</p> | <p><b>4. ADDITIONAL INFORMATION:</b></p> <p>DESIGN AND PERFORMANCE IN GENERAL<br/>ACCORDANCE WITH M83513 WHERE APPLICABLE.</p> |
|--|--|--|

|  |                           |                          |                        |                 |
|--|---------------------------|--------------------------|------------------------|-----------------|
| TOLERANCE: .XXX ±.005<br>.XX ±.01<br>ANGLE ±1° | TITLE<br><b>MINI JACK</b> | SHT <b>2</b> OF <b>2</b> | DWG. NO.<br><b>CMJ</b> | REV<br><b>M</b> |
|--|---------------------------|--------------------------|------------------------|-----------------|