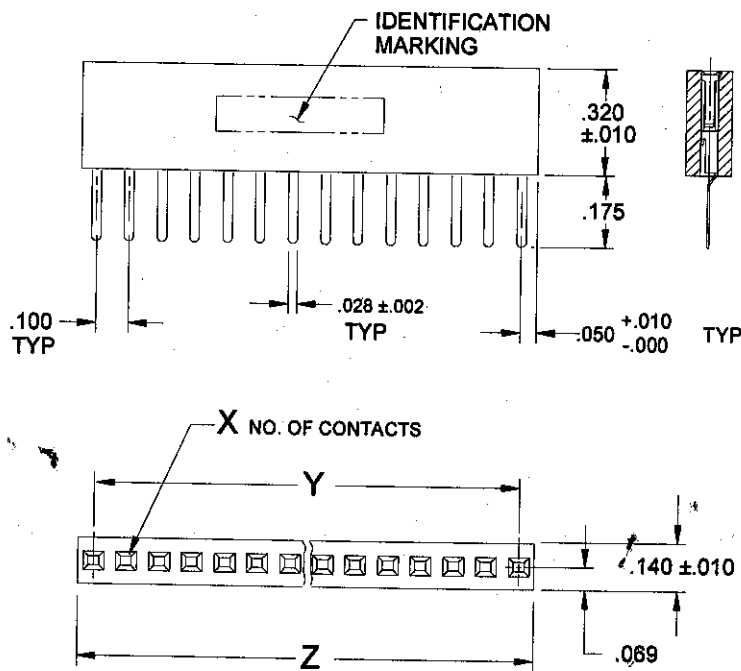


A & C TAIL CONFIGURATION

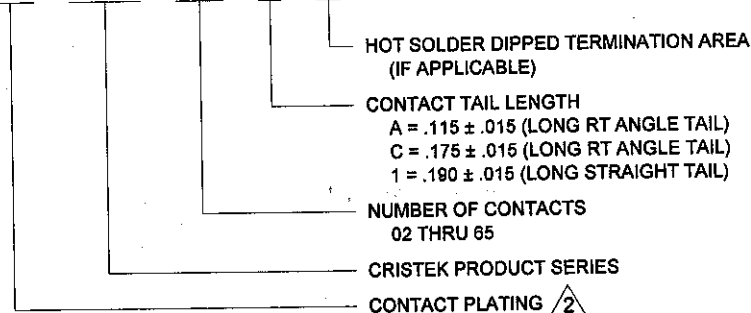


-1 TAIL CONFIGURATION

CRISTEK INTERCONNECTS, INC. www.cristek.com 1301 S. Lewis St. Anaheim, CA 92805 Phone: (714) 818-2000 FAX: (714) 535-4897	TITLE	DWG. NO.	
	COMMERCIAL MODTEK SINGLE ROW BOX, RIGHT ANGLE & VERTICAL	104	
	FILENAME	CODE IDENT NO. 67720	SHT 1 OF 2 REV F
ADS-104-1		TOLERANCE: .XXX ±.005 .XX ±.01 ANGLE ±1°	

X	Y ±.009	Z ±.010	X	Y ±.009	Z ±.010
02	.100	.23	34	3.300	3.53
03	.200	.33	35	3.400	3.63
04	.300	.43	36	3.500	3.73
05	.400	.53	37	3.600	3.83
06	.500	.63	38	3.700	3.93
07	.600	.73	39	3.800	4.03
08	.700	.83	40	3.900	4.13
09	.800	.93	41	4.000	4.23
10	.900	1.03	42	4.100	4.33
11	1.000	1.13	43	4.200	4.43
12	1.100	1.23	44	4.300	4.53
13	1.200	1.33	45	4.400	4.63
14	1.300	1.43	46	4.500	4.73
15	1.400	1.53	47	4.600	4.83
16	1.500	1.63	48	4.700	4.93
17	1.600	1.73	49	4.700	5.03
18	1.700	1.83	50	4.900	5.13
19	1.800	1.93	51	5.000	5.23
20	1.900	2.03	52	5.100	5.33
21	2.000	2.13	53	5.200	5.43
22	2.100	2.23	54	5.300	5.53
23	2.200	2.33	55	5.400	5.63
24	2.300	2.43	56	5.500	5.73
25	2.400	2.53	57	5.600	5.83
26	2.500	2.63	58	5.700	5.93
27	2.600	2.73	59	5.800	6.03
28	2.700	2.83	60	5.900	6.13
29	2.800	2.93	61	6.000	6.23
30	2.900	3.03	62	6.100	6.33
31	3.000	3.13	63	6.200	6.43
32	3.100	3.23	64	6.300	6.53
33	3.200	3.33	65	6.400	6.63

- 104 - ## - # - T



1. MATERIALS:

INSULATOR - PHENOLIC PER MIL-M-14
 CONTACT - COPPER ALLOY

2. FINISH: Δ 2

CONTACT PLATING OPTIONS

- 1 = .000010 INCH THICK GOLD ENTIRE CONTACT
- 30 = .000030 INCH THICK GOLD POINT OF CONTACT
.000005 INCH THICK GOLD ON BALANCE
- 53 = POINT OF CONTACT TO BE PLATED PER MIL-G-45204 TYPE II,
CLASS 1, GRADE C OVER NICKEL PER QQ-N-290 CLASS 2
.000050 MIN, REMAINDER OF CONTACT TO HAVE A FLASH OF
GOLD OVER NICKEL.
- 55 = ENTIRE CONTACT TO BE PLATED PER MIL-G-45204 TYPE II,
CLASS 1, GRADE C OVER NICKEL PER QQ-N-290 CLASS 2
.000050 MIN.

3. SPECIFICATIONS:

CURRENT RATING ----- 3 AMPS MAX
 TEMPERATURE RATING ----- -65° C TO +125° C
 INSULATION RESISTANCE ----- 5000 MEGOHMS MIN AT 500 VDC
 DWV AT SEA LEVEL ----- 750 VAC
 CONTACT RESISTANCE ----- 12 MILLIOHMS MAX AT 3 AMPS
 INSERTION FORCE ----- 6 oz MAX
 WITHDRAWAL FORCE ----- 0.5 oz MIN

4. ADDITIONAL INFORMATION:

CONFORMS TO ELECTRICAL & PERFORMANCE
 REQUIREMENTS OF M55302/127.
 FOR OTHER OPTIONS, CONTACT CRISTEK.

CRISTEK INTERCONNECTS, INC. www.cristek.com 1301 S. Lewis St. Anaheim, CA 92805 Phone: (714) 618-2000 FAX: (714) 535-4897	TITLE	DWG. NO.	
	COMMERCIAL MODTEK SINGLE ROW BOX, RIGHT ANGLE & VERTICAL	104	
FILENAME	ADS-104-2	CODE IDENT NO. 67720	REV F
		SHT 2 OF 2	TOLERANCE: .XXX ±.005 .XX ±.01 ANGLE ±1°