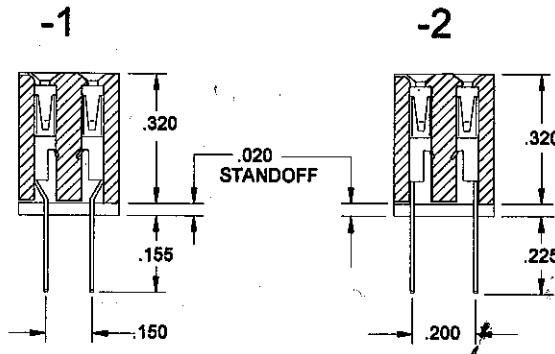


SECTION A-A



STRAIGHT TAIL OPTIONS

CRISTEK INTERCONNECTS, INC.
www.cristek.com
1301 S. Lewis St.
Anaheim, CA 92805
Phone: (714) 618-2000
FAX: (714) 535-4897

TITLE
**COMMERCIAL MODTEK
DOUBLE ROW BOX,
RIGHT ANGLE & VERTICAL, .150 PITCH**

FILENAME
ADS-105-1

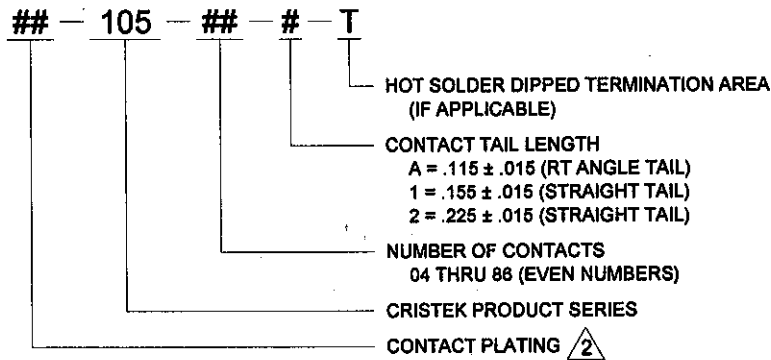
DWG. NO.
105

CODE IDENT NO. 67720	SHT 1 OF 2	REV D
--------------------------------	--------------------------	-----------------

TOLERANCE: .XXX ± .005 .XX ± .01 ANGLE ± 1°

X NO. OF CONTACTS	NO. OF SPACES	Y ±.010	Z ±.030
04	1	.15	.29
06	2	.30	.44
08	3	.45	.59
10	4	.60	.74
12	5	.75	.89
14	6	.90	1.04
16	7	1.05	1.19
18	8	1.20	1.34
20	9	1.35	1.49
22	10	1.50	1.64
24	11	1.65	1.79
26	12	1.80	1.94
28	13	1.95	2.09
30	14	2.10	2.24
32	15	2.25	2.39
34	16	2.40	2.54
36	17	2.55	2.69
38	18	2.70	2.84
40	19	2.85	2.99
42	20	3.00	3.14
44	21	3.15	3.29

X NO. OF CONTACTS	NO. OF SPACES	Y ±.010	Z ±.030
46	22	3.30	3.44
48	23	3.45	3.59
50	24	3.60	3.74
52	25	3.75	3.89
54	26	3.90	4.04
56	27	4.05	4.19
58	28	4.20	4.34
60	29	4.35	4.49
62	30	4.50	4.64
64	31	4.65	4.79
66	32	4.80	4.94
68	33	4.95	5.09
70	34	5.10	5.24
72	35	5.25	5.39
74	36	5.40	5.54
76	37	5.55	5.69
78	38	5.70	5.84
80	39	5.85	5.99
82	40	6.00	6.14
84	41	6.15	6.29
86	42	6.30	6.44



1. MATERIALS:

INSULATOR - PHENOLIC PER MIL-M-14
 CONTACT - COPPER ALLOY

2. FINISH: $\triangle 2$

CONTACT PLATING OPTIONS

- 1 = .000010 INCH THICK GOLD ENTIRE CONTACT
- 30 = .000030 INCH THICK GOLD POINT OF CONTACT
.000005 INCH THICK GOLD ON BALANCE
- 53 = POINT OF CONTACT TO BE PLATED PER MIL-G-45204 TYPE II, CLASS 1, GRADE C OVER NICKEL PER QQ-N-280 CLASS 2
.000050 MIN. REMAINDER OF CONTACT TO HAVE A FLASH OF GOLD OVER NICKEL.
- 55 = ENTIRE CONTACT TO BE PLATED PER MIL-G-45204 TYPE II, CLASS 1, GRADE C OVER NICKEL PER QQ-N-290 CLASS 2
.000050 MIN.

3. SPECIFICATIONS:

- CURRENT RATING ----- 3 AMPS MAX
- TEMPERATURE RATING ----- -85° C TO +125° C
- INSULATION RESISTANCE ----- 5000 MEGOHMS MIN AT 500 VDC
- DWV AT SEA LEVEL ----- 750 VAC
- CONTACT RESISTANCE ----- 12 MILLIOHMS MAX AT 3 AMPS
- INSERTION FORCE ----- 6 oz MAX
- WITHDRAWAL FORCE ----- 0.5 oz MIN

4. ADDITIONAL INFORMATION:

CONFORMS TO ELECTRICAL & PERFORMANCE REQUIREMENTS OF M55302/126.
 FOR OTHER OPTIONS, CONTACT CRISTEK.

CRISTEK INTERCONNECTS, INC. www.cristek.com 1301 S. Lewis St. Anaheim, CA 92805 Phone: (714) 818-2000 FAX: (714) 535-4897	TITLE	DWG. NO.		
	COMMERCIAL MODTEK DOUBLE ROW BOX, RIGHT ANGLE & VERTICAL, .150 PITCH	105		
		FILENAME	CODE IDENT NO. 67720	SHT 2 OF 2
ADS-105-2	TOLERANCE: .XXX ±.005 .XX ±.01 ANGLE ±1°			